

RICOH

RICOH PRIPORT VT2300/2500

PARTS CATALOG

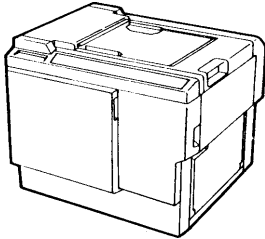
First Edition February 1991

RICOH COMPANY, LTD.

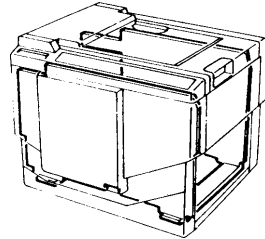
LOCATION OF UNIT

February 28, '91

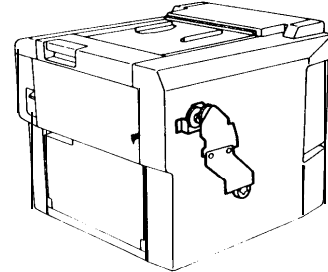
1. EXTERIOR



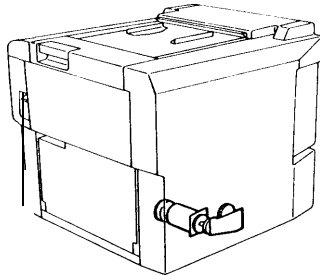
2. FRAME



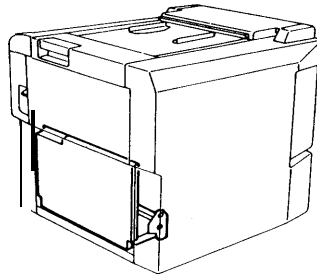
3. DRIVE SECTION I



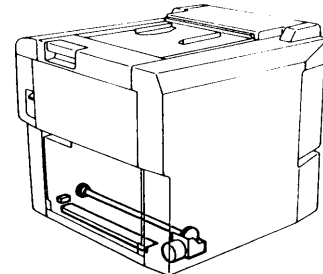
4. DRIVE SECTION II



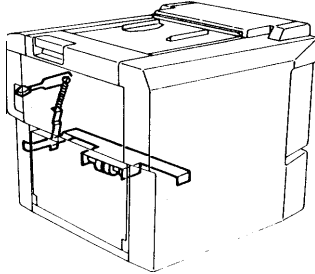
5. PAPER TABLE



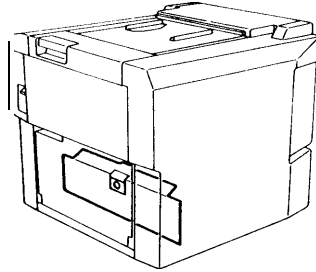
6. PAPER TABLE DRIVE



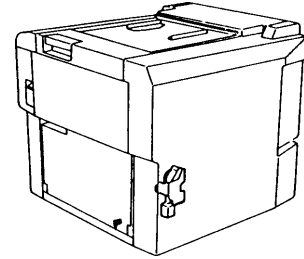
7. PAPER FEED ROLLER AND
PAPER SEPARATION ROLLER



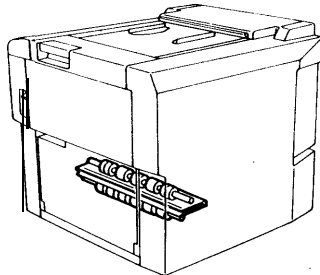
8. PAPER SEPARATION ROLLER



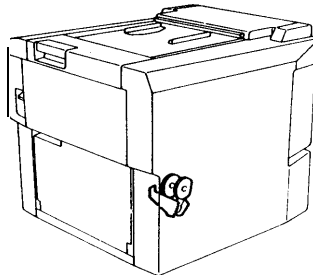
9. PAPER FEED DRIVE



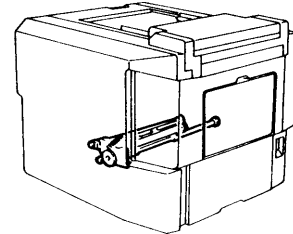
10. 2ND FEED ROLLER



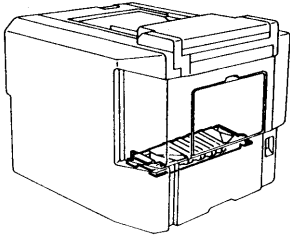
11. 2ND FEED DRIVE



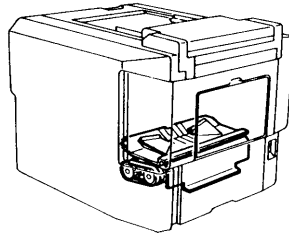
12. PRESS ROLLER



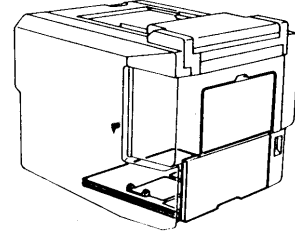
13. PAPER DELIVERY I



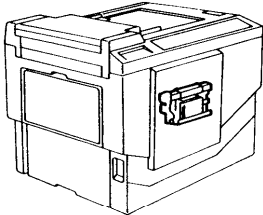
14. PAPER DELIVERY II



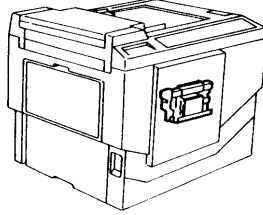
15. DELIVERY TABLE



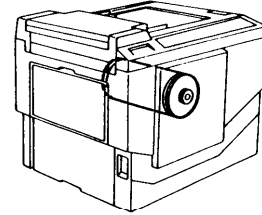
16. DRUM SECTION I

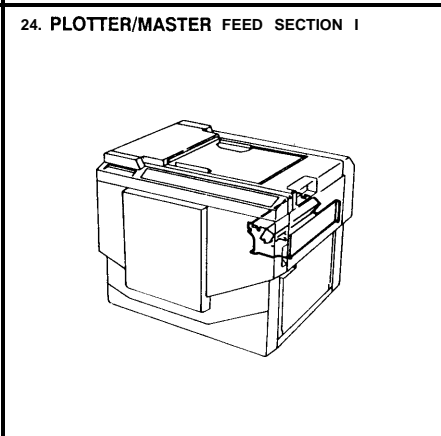
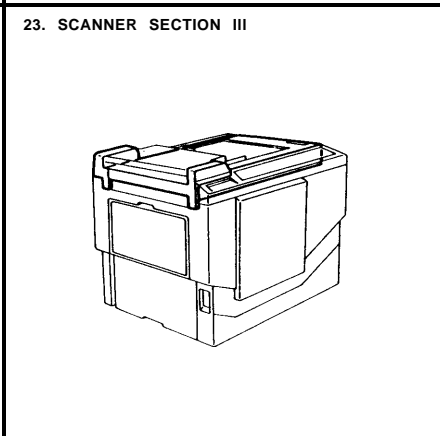
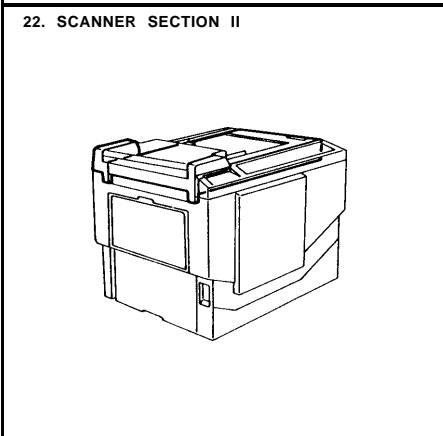
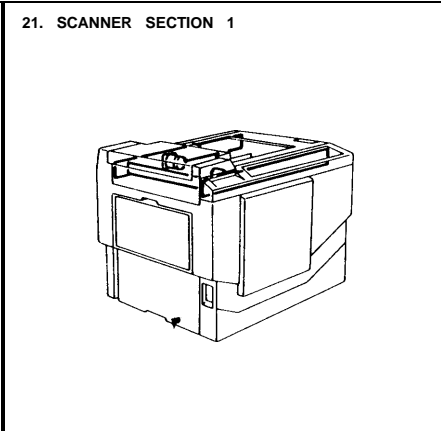
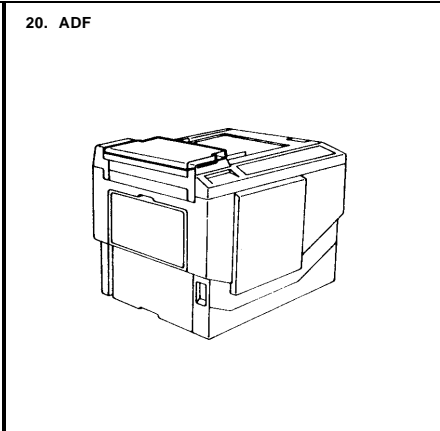
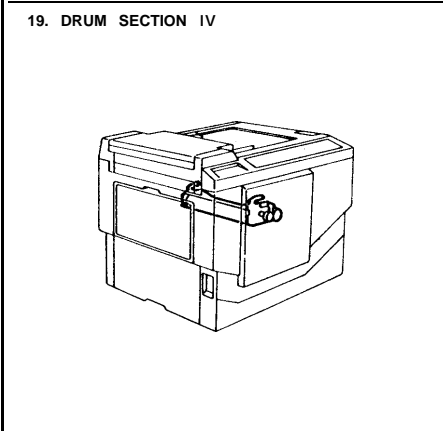


17. DRUM SECTION II



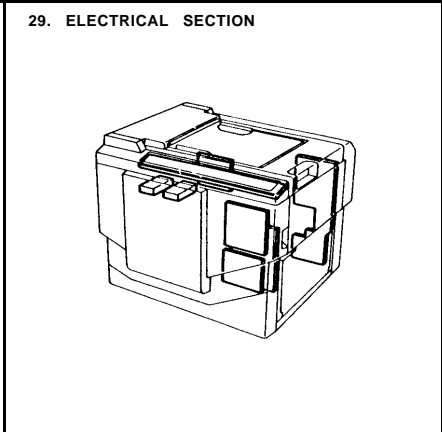
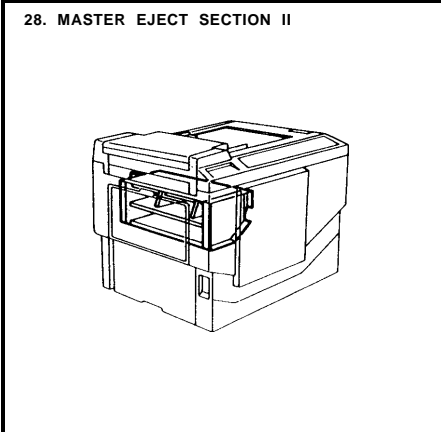
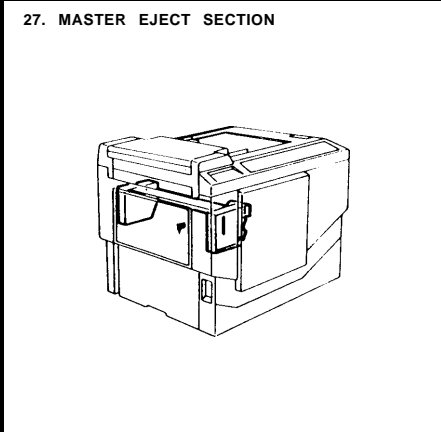
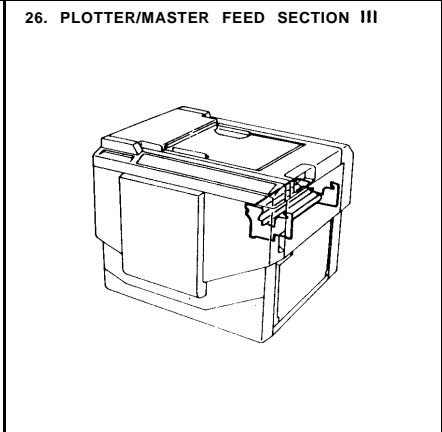
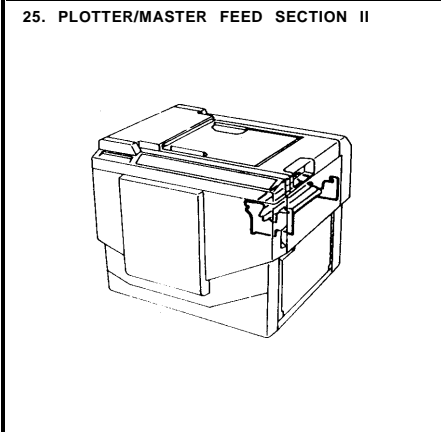
18. DRUM SECTION III

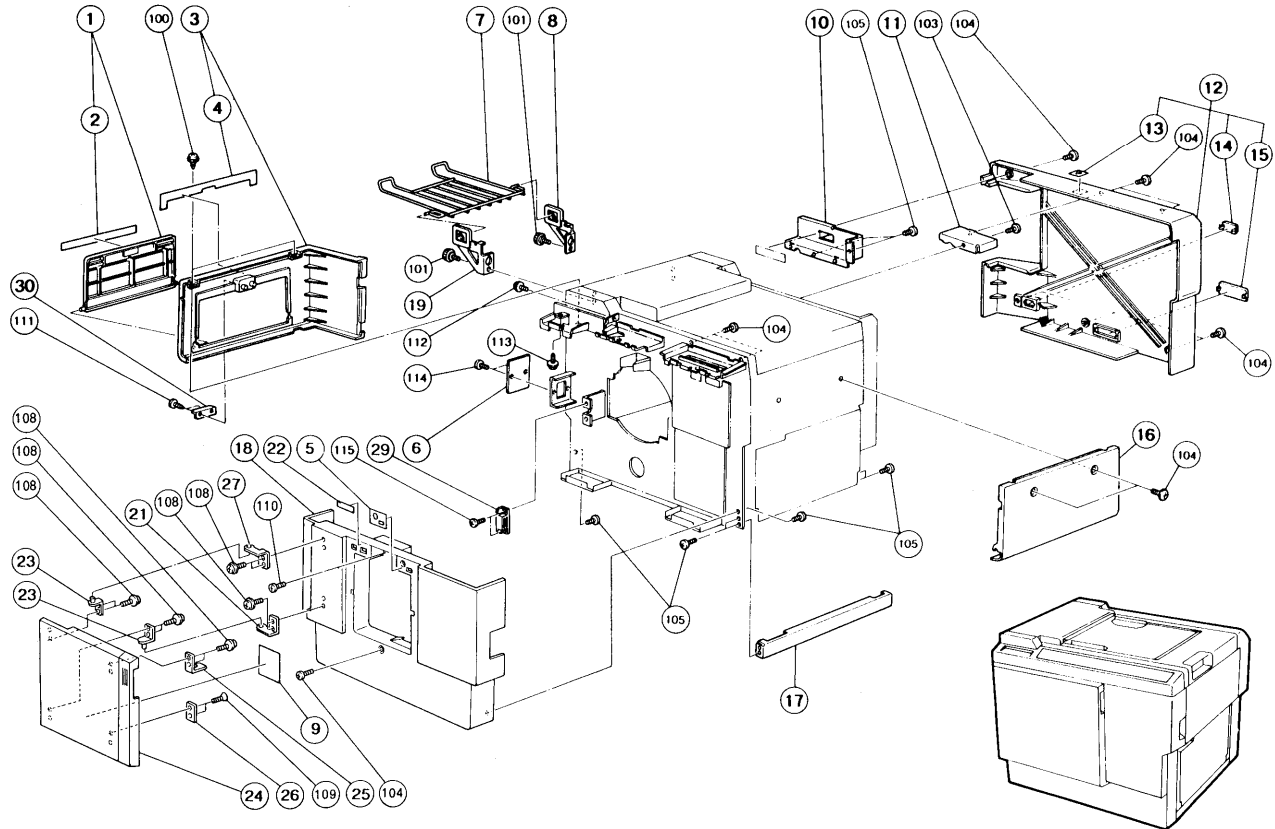




LOCATION OF UNIT

February 28, '91



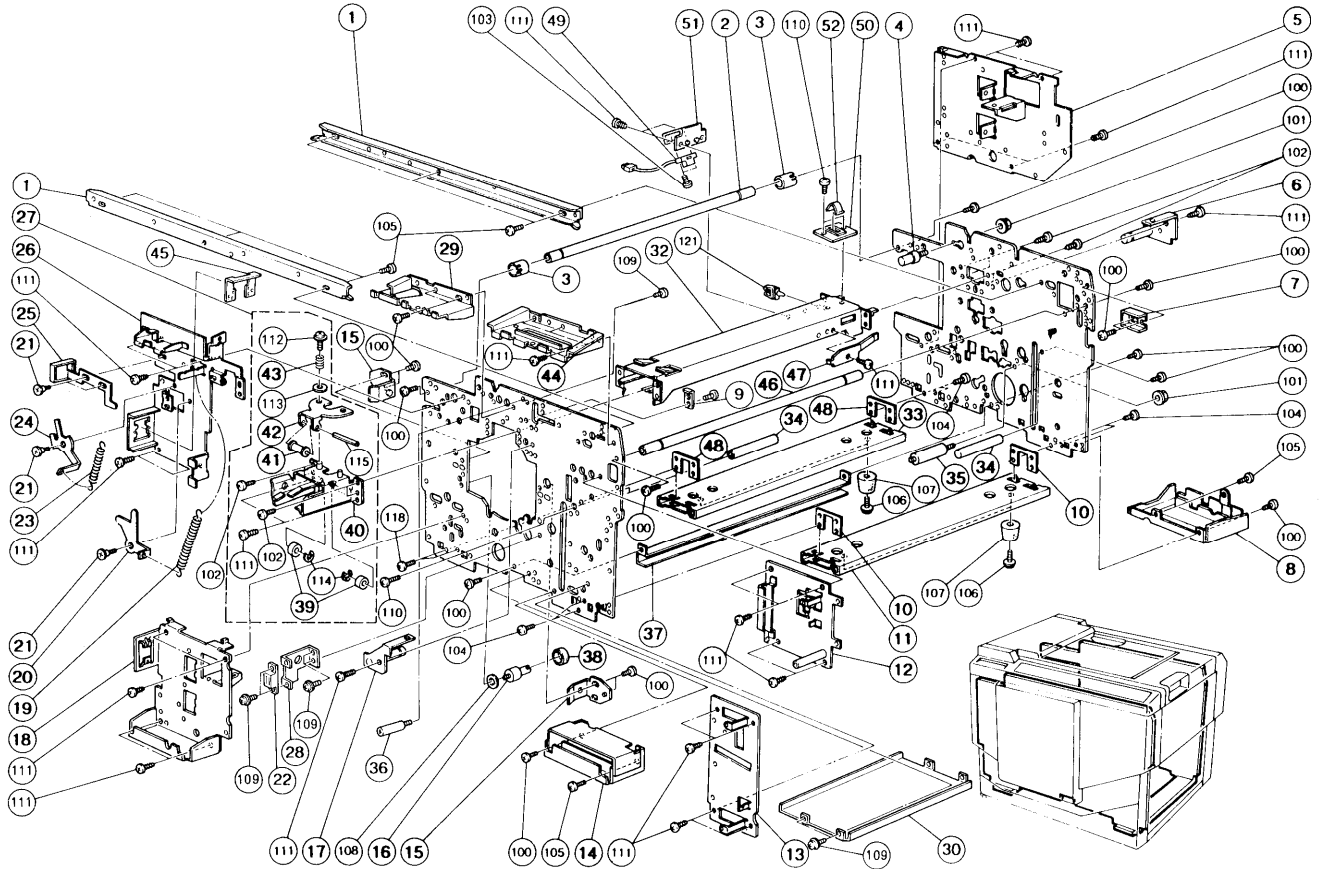


1. EXTERIOR (C212/C213)

February 28, '91

Index No.	Part No.	Description	Q'ty Per Assembly
1	C203 2761	Master Eject Box Door	1
2	C201 2417	Box Door Sheet	1
3	C203 2765	Master Eject Cover	1
4	C201 2437	Master Eject Sheet	1
5	C207 2740	Decal - Replacing The Drum Unit	1
6	C201 2427	Key Counter Cover	1
7	C203 3075	Original Exit Tray	1
8	C2013023	Right Bracket - Original Tray	1
9	C213 2761	Decal - Front Door - LT	1
9	C213 2771	Decal - Front Door	1
10	C203 2431	Rear Bracket	1
11	C203 2430	Rear Cover Bracket	1
12	C203 2756	Rear Cover	1
13	C201 2462	Decal - Original Table	1
14	A024 1368	Left Cover Cap - Sorter	1
15	C203 2758	Rear Cover Cap	1
16	C203 2744	Paper Feed Cover	1
17	C201 2431	Support Cover	1
18	C213 2702	Front Cover (VT2500)	1
18	C212 2702	Front Cover (VT2300)	1
19	C201 3020	Left Bracket - Original Tray	1
21	C213 2406	Lower Hinge - Front Door	1
22	C201 2466	Decal - Counter	1
23	C213 2407	Hinge Bracket	1
24	C213 2411	Front Door	2
25	C200 2434	Micro Switch Actuator	1
26	C200 2432	Magnet Plate	1
27	C213 2405	Upper Hinge - Front Door	1
28	C203 2731	Decal - Master Eject Open	1
29	50540536	Magnet Catch Ass'y	2
24	C213 2705	Front Door - LT	
24	C213 2711	Front Door - RT	

Index No.	Part No.	Description	Q'ty Per Assembly
100	0573 0040E	Hexagon Headless Set Screw - M3x4	
101	08030017	Knob Screw - M4x6.5	
102	0434 0080Z	Tapping Screw - M4x8	
103	0801 1004	Screw - M4x4	
104	0344 0080D	Philips Truss Head Screw - M4x8	
105	03140080Z	Philips Screw - 4x8	
106	0323 0100Z	Philips Sunken Head Screw - M3x10	
107	0434 0102Z	Tapping Screw - M4x10	
108	09654010Z	Tapping Screw W/T Flat Washer - M4x10	
109	08025149	Tapping Screw - M4x9	
110	0354 0050D	Screw - M4x5	
111	0434 0082W	Tapping Screw - M4x8	
112	0951 3006Z	Philips Screw With Flat Washer - M3	
113	0951 3008Z	Philips Screw With Flat Washer - M3	
114	0343 0060D	Philips Truss Head Screw - M3x6	
115	0314 0060Z	Philips Pan Head Screw - M4x6	



2. FRAME (C212/C213)

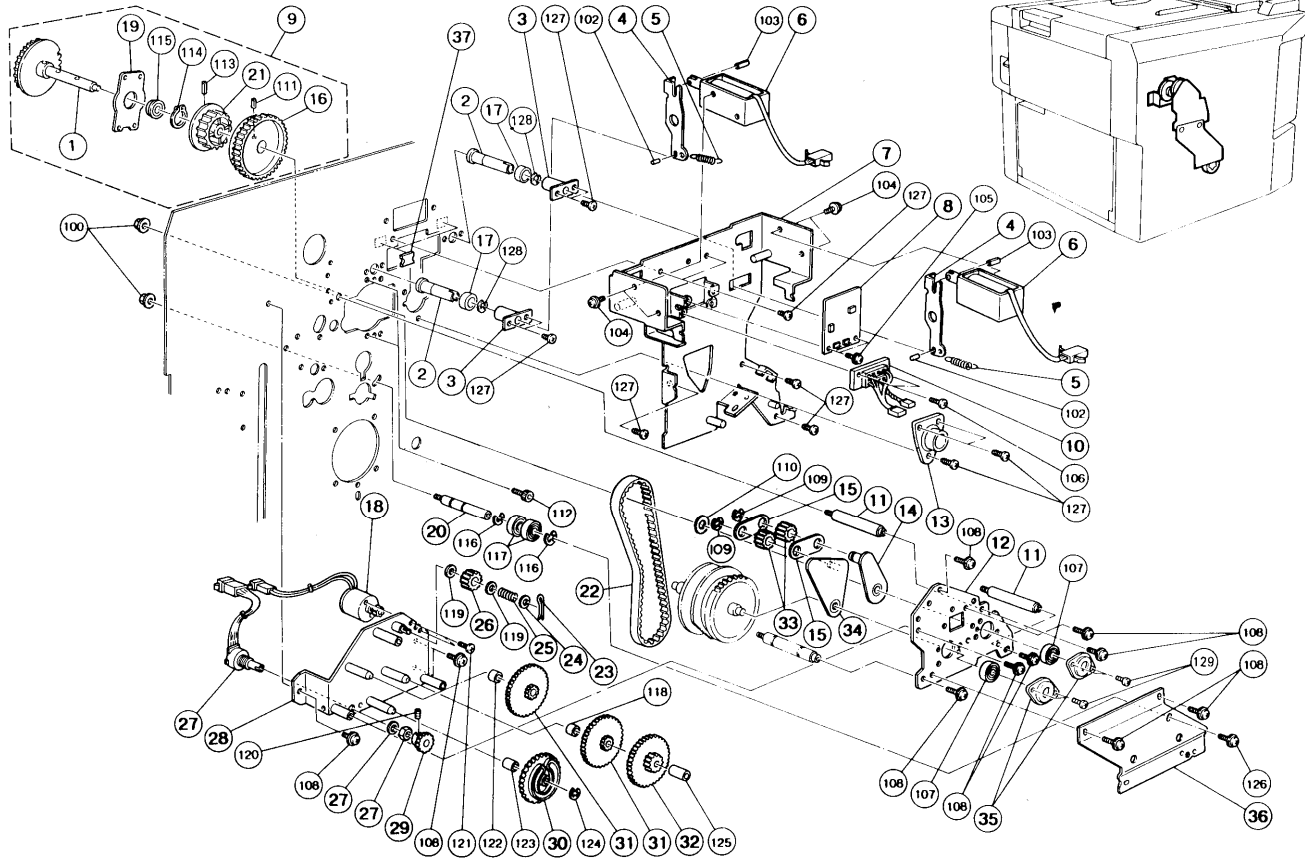
February 28, '91

Index No.	Part No.	Description	Q'ty Per Assembly
1	C203 3037	Slide Rail	2
2	C203 2091	Front Shaft	1
3	C203 2092	Roller - Front Shaft	2
4	C203 3047	Stopper Stud	1
5	C213 2117	Right Grip -paper Delivery	1
6	C203 2085	Right Fixing Plate	1
7	C200 3006	Stopper	1
8	C2032120	Right Grip - Paper Feed	1
9	C201 2404	Operation Panel Bracket	2
10	C203 2096	Bottom Stay Nut	2
11	C200 2005	Bottom Stay → C222 2072	1
12	C203 2026	Lever Bracket - Paper Feed	1
13	C203 2015	Bracket. > C224 2015	1
14	C203 2055	Left Grip - Paper Feed	1
15	C200 4520	Lock Pin - Drum	2
16	C200 3716	Cushion Shaft	1
17	C203 2041	Left Fixing Plate	1
18	C203 2052	Left Grip - Paper Delivery	1
19	C200 3956	Middle Lever Spring	1
20	C200 3953	Middle Lever	1
21	54032075	Stepped Screw	4
22	50540536	Magnet Catch Ass'y	1
23	C200 3957	Lower Lever Spring	1
24	C200 3954	Lower Lever	1
25	C203 3509	Upper Lever	1
26	C213 2048	Left Side Plate	1
27	C203 4505	Drum Stopper Ass'y	1
28	C213 2030	Magnet Catch Bracket	1
29	C213 2023	Left Bracket - Operation Panel	1
30	C203 2094	Harness Cover	1
32	C215 4502	Drum Rail Stay	1
33	C200 2005	Bottom Stay	1
34	C203 4073	Receiving Shaft	1
35	C200 2232	Drive Shaft	2
36	C207 2025	Flat Cable Stud	1

Index No.	Part No.	Description	Q'ty Per Assembly
37	C203 8074	Harness Stay	1
38	55014719	Rubber Ring - Stopper	1
39	C201 4604	Drum Rail Roller	2
40	C203 4506	Stopper Base	1
41	C201 4532	Drum Stopper Roller	1
42	C2014531	Drum Stopper Pawl	1
43	C201 4533	Drum Stopper Spring	1
44	C207 2020	Right Bracket - Operation Panel	1
45	A030 1339	Plate Nut-key Counter	1
46	C203 2093	Shaft	1
47	C200 4528	Plate Spring - Drum Rail	1
48	C203 2096	Bottom Stay Nut	2
49	C213 8137	Master Sensor	1
50	C203 4511	Spring Plate Supporter	1
51	C213 4518	Drum Sensor Bracket	1
52	C203 4512	Grounding Spring Plate	1
100	03140080Z	Philips Screw - 4x8	
101	07130050B	Hexagon Nut - M5	
102	04340100Z	Pan Head Self-tapping Screw - M4x10	
103	03130060Z	Philips Pan Head Screw - M3x6	
104	0315 0120Z	Philips Screw - 5x12	
105	0601 1004	Screw - M4x4	
106	0951 5030Z	Philips Screw With Flat Washer - M5	
107	08056009	Rubber Foot	
108	08073083	Washer	
109	03140060Z	Philips Pan Head Screw - M4x6	
110	08011135	Philips Pan Head Screw - M3x3	
111	03140080Z	Philips Screw - 4x8	
112	0951 3006Z	Philips Screw With Flat Washer - M3	
113	0708 0050Z	Flat Washer - M5	
114	0720 0050Z	Retaining Ring - M5	
115	0622 0250E	Spring Pin M2x250	

3. DRIVE SECTION I (C212/213)

February 28, '91

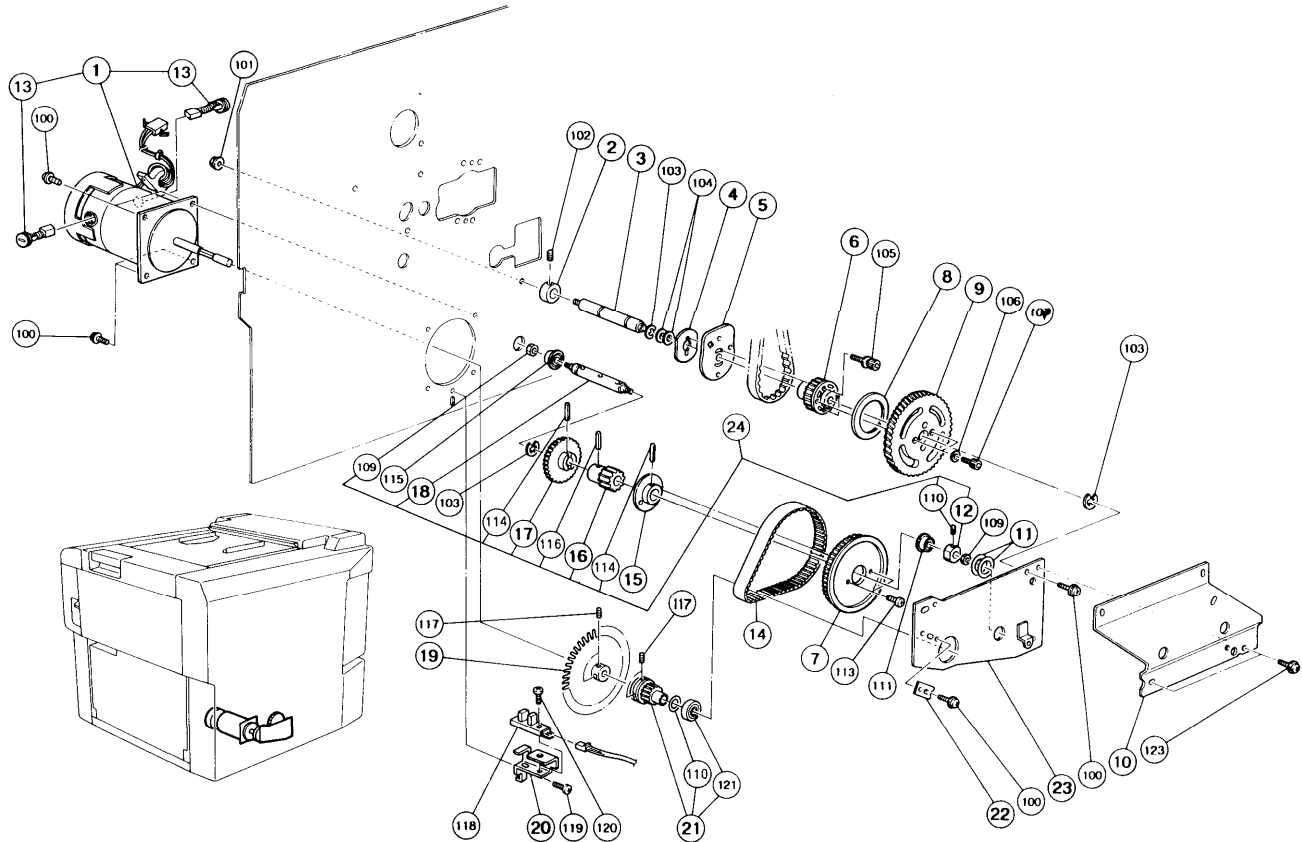


3. DRIVE SECTION 1 (C212/C213)

February 28, '91

Index No.	Part No.	Description	Q'ty Per Assembly
1	C201 2218	Stud & Gear - 30T	1
2	C200 4553	Slide Shaft	2
3	C200 4551	Slide Guide	2
4	C207 4554	Solenoid Lever	2
5	C200 4561	Clamper Spring	2
6	C207 8212	Master Eject Solenoid	2
7	C207 2080	Solenoid Bracket	1
8	C2008116	Ink Detecting Board	1
9	C203 2330	Drum Drive Gear/ Pulley Ass'y	1
10	C207 8091	Drum Harness	1
11	C201 2211	Stud	2
12	C203 2304	Support Side Plate	1
13	C200 4516	Slide Guide - Drive Shaft	1
14	C200 2308	Image Shifting Arm - Small	1
15	C200 2311	Image Shifting Link	2
16	C201 2217	Gear - 50T	1
17	C201 4561	Drum Clamper Roller	2
18	C201 8061	Motor - DC25.8W	1
19	C200 2248	Fixing Plate	1
20	C203 2315	Tension Shaft	1
21	C203 2317	Pullet - 26T	1
22	C203 2316	Timing Belt	1
23	C203 2303	Snap Bushing	1
24	C200 2340	Washer <i>070100302</i>	1
25	C200 2339	Blake Spring	1
26	C200 2338	Gear - 20T	1
27	C200 8450	Encoder	1
28	C200 2321	Bracket - Image Shifting Unit	1
29	C201 2221	Gear - 40T	1
30	C201 2222	Coupled Gear - 20T & 60T	1
31	C200 2331	Gear - 20T	2
32	C200 2332	Gear - 16T	1
33	C219 2226	Gear - 22T	2
34	C200 2302	Image Shifting Arm - Large	1
35	C200 2266	Bearing Holder	2

Index No.	Part No.	Description	Q'ty Per Assembly
36	C203 2318	Reinforcement Plate	1
37	C207 4555	Rubber Seal - 8x14x2	2
100	07130050B	Hexagon Nut - M5	
101	03140080Z	Philips Screw - 4x8	
102	0622 0060E	Spring Pin - 2x6mm	
103	0623 0120E	Spring Pin - 3x12mm	
104	0951 3005Z	Philips Pan Head Screw - M3 x 5	
105	0951 3006Z	Philips Screw With Flat Washer - M3	
106	03140100Z	Philips Screw - 4x10	
107	08053104	Ball Bearing - 8x22x7mm	
108	0960 4008Z	Flange Head Screw -4 x 8	
109	0720 0080Z	Retaining Ring - M8	
110	08077013	Spacer -10.2 x 14x 0.2 mm	
111	08044046	Spring Pin - 4x16	
112	0594 0080E	Bolt - M4x8	
113	08044048	Spring Pin - 4x20	
114	07250100Z	Retaining Ring - M10	
115	08053134	Ball Bearing - 10x26x8mm	
116	0720 0120Z	Retaining Ring - M12	
117	07403012	Ball Bearing - 12x28x8	
118	0707 6040B	Bushing - 6x4mm	
119	08072071	Washer - 3.1x7x0.2mm	
120	0573 0050E	Hexagon Headless Set Screw - M3x5	
121	03130040Z	Philips Pan Head Screw - M3x4	
122	0707 6080B	Bushing - 6x8mm	
123	07076120B	Bushing - 6x12mm	
124	0720 0040Z	Retaining Ring - M4	
125	07076120B	Bushing - 6x12mm	
126	0951 5008Z	Philips Screw With Flat Washer - M5x8	
127	03140080Z	Philips Screw - 4x8	
128	0720 0050Z	Retaining Ring - M5	
129	08011135	Philips Pan Screw - M3x3	



4. DRIVE SECTION II (C212/C213)

February 28, '91

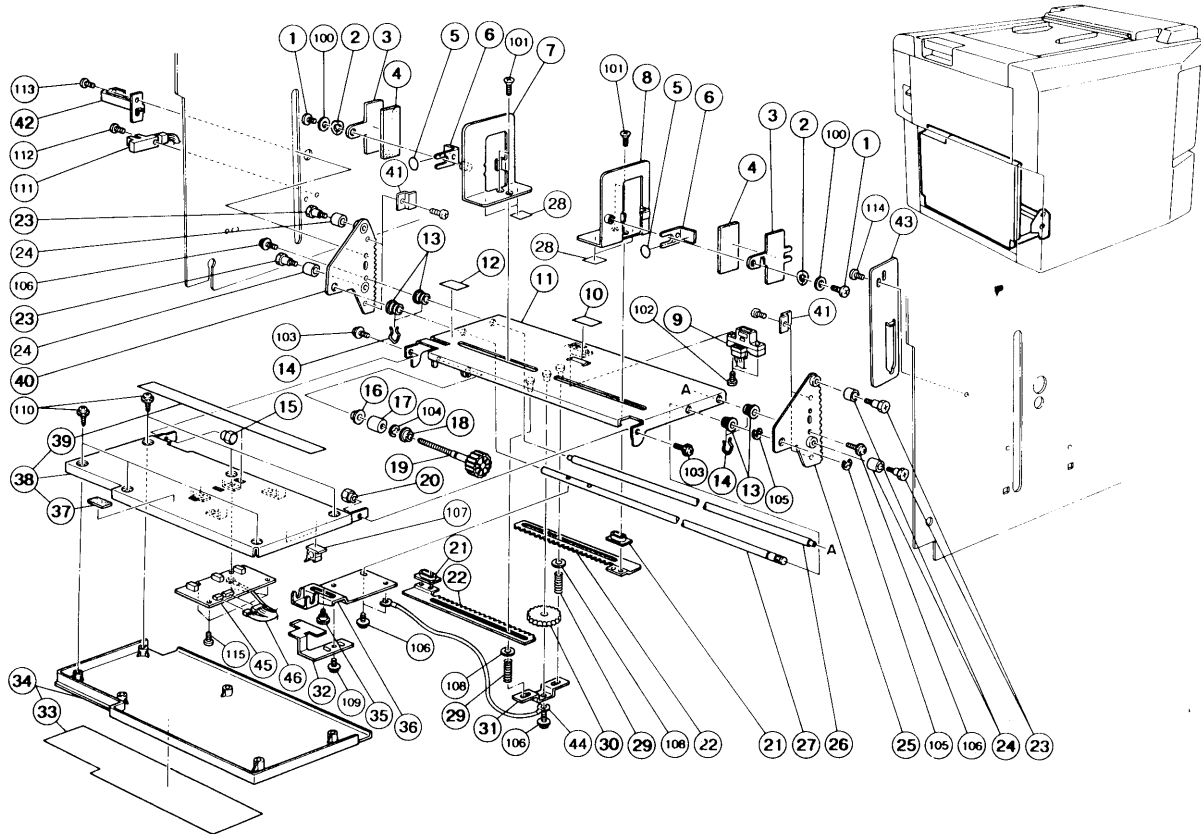
Index No.	Part No.	Description	Q'ty Per Assembly
1	C207 8451	Main Motor - DC80W	1
2	C200 2221	Collar - Pressure Cam Shaft	1
3	C200 2225	Pressure Cam Shaft	1
4	C200 2224	Plate Nut - Print Pressure Cam	1
5	C213 5560	Printer Pressure Cam	1
6	C203 2312	Pulley	1
7	C207 2209	Pulley - 60Z	1
8	C203 2327	Pulley Flange	1
9	C203 2326	Gear - 90Z	1
10	C203 2318	Reinforcement Plate	1
11	C200 2267	Spacer	2
12	C200 2217	Collar	1
13	C203 8453	Rectification Brush	2
14	C207 2210	Timing Belt - 100S4.5M297	1
15	C203 2311	Gear Flange	1
16	C203 2215	Gear - 18T	1
17	C200 6053	Gear - 40T	1
18	C203 2216	Driven Shaft	1
19	C203 2309	Pulse Disk	1
20	C200 2205	Bracket - Drum Rotation Sensor	1
21	C207 2207	Pulley - 12Z	1
22	C207 2211	Bearing Stopper	1
23	C203 2306	Support Side Plate - Aid	1
24	C200 2210	Driven Shaft Ass'y	1



Index No.	Part No.	Description	Q'ty Per Assembly
100	0960 4008Z	Flange Head Screw -4 x 8	
101	07130050B	Hexagon Nut - M5	
102	0574 0040E	Hexagon Headless Set Screw - M4x4	
103	0720 0080Z	Retaining Ring - M8	
104	08077013	Spacer -10.2 x 14x 0.2 mm	
105	08046092	Hexagonal Set Screw	
106	0700 0050Z	Flat Washer - M5	
107	0595 0120E	Socket Screw - M5x12	
109	07120060Z	Hexagon Nut - M6	
110	08077040	Spacer 12.5mm x 22mm x 0.5	
111	0741 3908S	Bearing	
112	03140060Z	Philips Pan Head Screw - M4x6	
113	03150060Z	Philips Screw - 5x6	
114	0623 0200E	Spring Pin - 3x20mm	
115	0741 3807S	Bearing	
116	08044046	Spring Pin - 4x16	
117	0574 0050E	Hexagon Headless Set Screw - M4x5	
118	14030539	Photointerruptor - EE-SX450-P1 → AW02009	
119	03140080Z	Philips Screw - 4x8	
120	0314 0120Z	Philips Screw - 4x12	
121	07403012	Ball Bearing - 12x28x8	
122	0951 5008Z	Philips Screw With Flat Washer - M5x8	

5. PAPER TABLE (C212/213)

February 28, '91

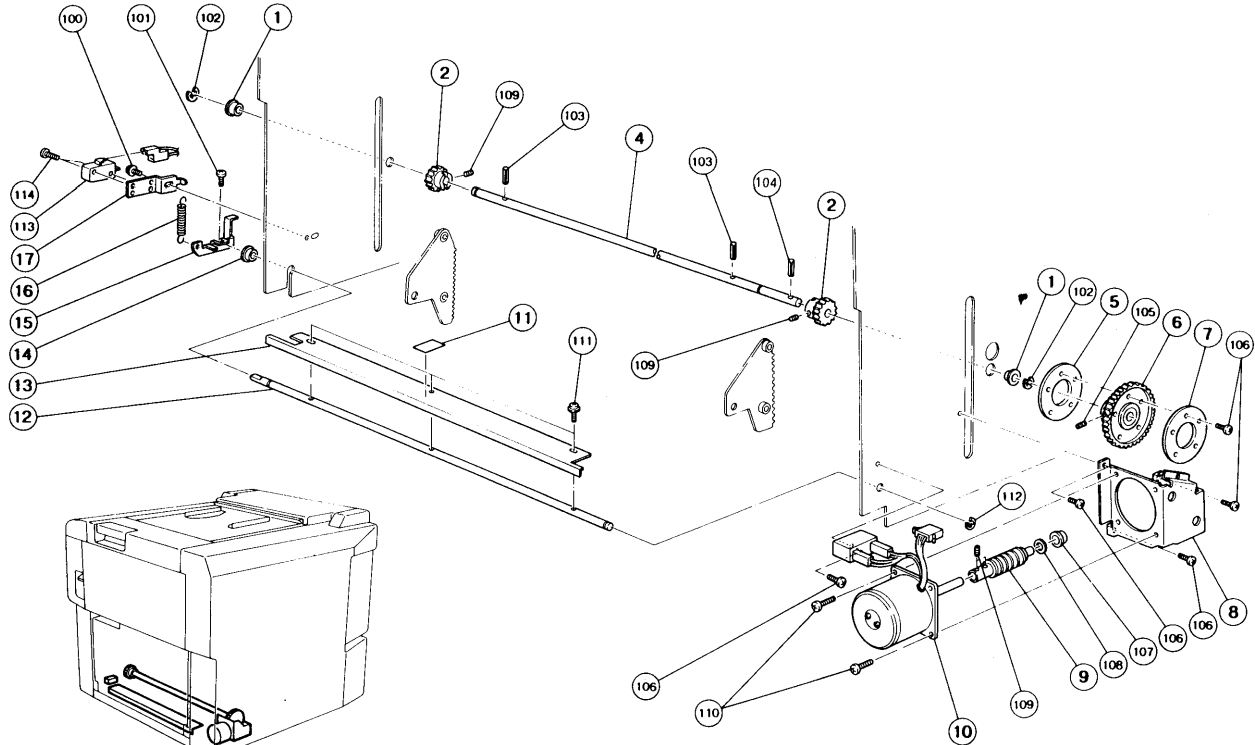


5. PAPER TABLE (C212/C213)

February 28, '91

Index No.	Part No.	Description	Qty Per Assembly
1	55061536	Screw- M4x6	2
2	50700923	SpringWasher -Rotating Table	2
3	C200 5285	Side Pad	2
4	C200 5287	RubberPlate-Paper Feed	2
5	C201 5015	Seal - M10	2
6	55061535	Right Side Pad → C2093092	2
7	C207 5279	Left Side Plate - Paper Feed	1
8	C200 5274	Right Side Plate - Paper Feed	1
9	14030456	Photo Sensor	1
10	C203 5087	RubberPlate-Feed Table	1
11	C207 5078	PaperFeedTable	1
12	C203 2453	Decal -PaperFeed Table	1
13	C203 5121	Bushing -8x12x9mm	2
14	56001107	SnapRetainer-12	2
15	C200 5038	Screw Collar	1
16	C203 5114	Bushing - 3x6x3mm	1
17	C203 5116	Washer - 6x13x1 2mm	1
18	C203 5113	Bushing - 6x9x3mm	1
19	C2035109	Knob Screw	1
20	C2005038	Screw Collar	1
21	C2005335	Side Plate Slider	2
22	C2075028	Paper Feed Rack	2
23	C2035142	Rack Shaft	4
24	56062310	Roller	4
25	C2035126	Right Rack → C2245126	1
26	C2005042	Rear Shaft - Paper Feed	1
27	C2035122	Front Shaft - Paper Feed	1
28	55066314	Mylar - Master Feed Table	4
29	55057197	Spring - Hinge - Inking	2
30	53091023	Pinion Paper Feed Table	1
31	C2035105	Supporter	1
32	C2075120	Position Indicator	1
33	C2012443	Feed Stand Cover Sheet	1
34	C2032522	Feed Stand Cover	1
35	C201 5125	Shoulder Screw - M4	1

Index No.	Part No.	Description	Qty Per Assembly
36	C2035119	Arm - Paper Feed Table	1
37	C200 5025	Paper Feed Plate Shield	1
38	C2075103	Paper Feed Bottom Plate - LT	1
38	C2075104	Paper Feed Bottom Plate - A4	1
39	C203 2716	Decal - Paper Size - LT	1
39	C204 2718	Decal - Paper Size - A4	1
40	C224 5128	Left Rack	1
41	C203 5131	Gear Cover	2
42	C201 5040	Actuator - Table Lower Limit Switch	1
43	C203 5148	Fixing Plate	1
44	C203 8365	Grounding Wire	1
45	C207 8024	Positioning Sensor Board	1
46	C207 8084	Relay Harness - Paper Size	1
100	0701 0080Z	Flat Washer - M8	
101	0323 0100Z	Philips Sunken Head Screw - M3x10	
102	0313 0100Z	Philips Pan Head Screw - M3x10	
103	0951 4010Z	Philips Screw With Flat Washer M4 x	
104	0720 0040Z	Retaining Ring - M4	
105	0720 0060Z	Retaining Ring - M6	
106	0951 4008Z	Philips Screw With Flat Washer M4 x	
107	11050173	Clamp	
108	0710 0030Z	Hex Nut 3	
109	0951 3006Z	Philips Screw With Flat Washer - M3	
110	0965 3010W	Tapping Screw With Flat Washer - M3x10	
111	14030539	Photointerruptor - EE-SX450-P1 → AW020091	
112	0314 0120Z	Philips Screw - 4x12	
113	031 40080Z	Philips Screw - 4x8	
114	0951 4006Z	Philips Screw With Flat Washer - M4	
115	0951 3008Z	Philips Screw With Flat Washer - M3	



6. PAPER TABLE DRIVE (C212/C213)

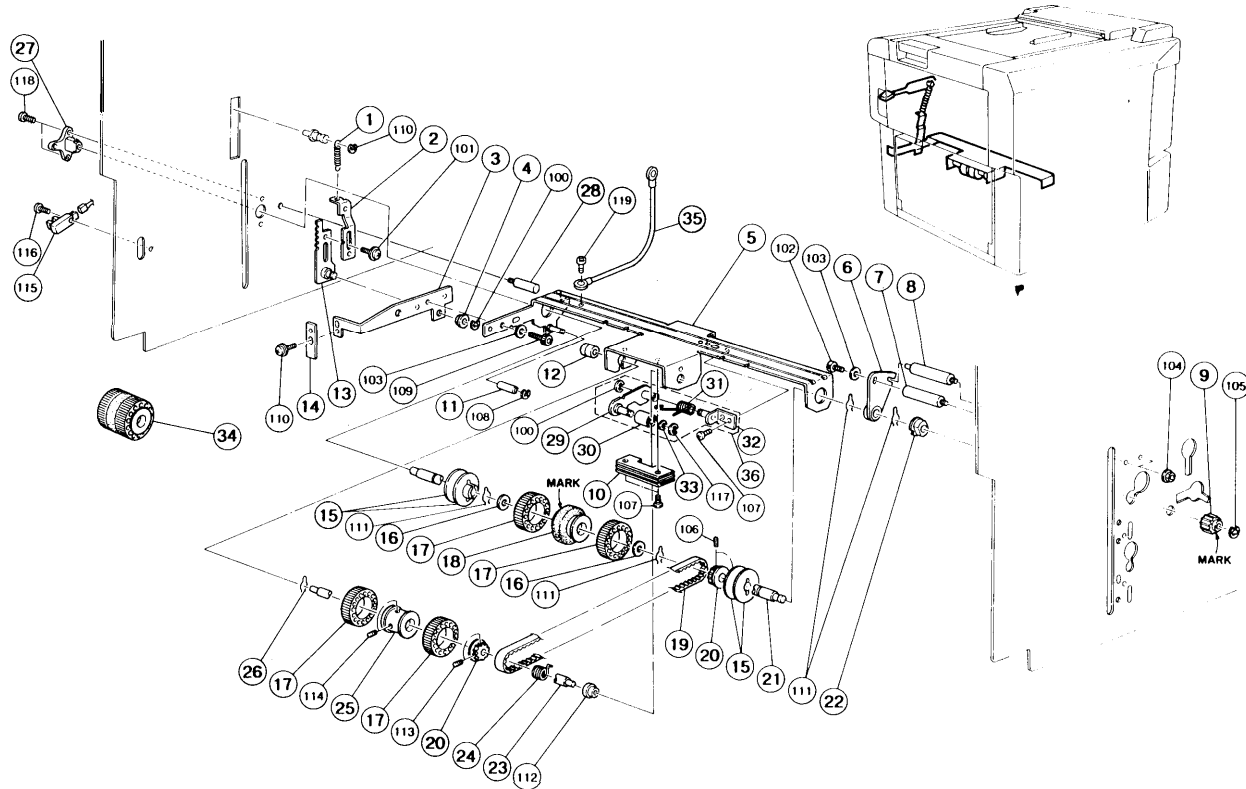
February 28, '91

Index No.	Part No.	Description	Q'ty Per Assembly
1	C2035135	Bushing - 10X14X5.9	2
2	C2015051	Pinion -24T	2
3	C2015161	Bracket - Paper Table Safety Switch	1
4	C2035133	Paper Feed TableShaft	1
5	C2015046	Front Gear Support	1
6	C2005096	Worm Wheel Gear - 18T	1
7	C2015045	Rear Gear Support	1
8	C2035140	Motor Bracket	1
9	C2035138	Worm Gear	1
10	C2038130	Motor - AC22W	1
11	55066314	Mylar - Master Feed Table	1
12	C2035152	Safety Switch Shaft	1
13	C2035158	Safety Switch Plate	1
14	55064608	Bushing - Paper Hold/Down Roller -	1
15	C2035153	Safety Switch Actuator	1
16	56073906	Safety Switch Spring	1

Index No.	Part No.	Description	Q'ty Per Assembly
100	09514005Z	Philips Screw With Flat Washer - M4x5	
101	03130060Z	Philips Pan Head Screw - M3x6	
102	07200080Z	Retaining Ring - M8	
103	06240160E	Spring Pin - 4x16mm	
104	06240220E	Spring Pin - 4x20mm	
105	05740060E	Hexagon Headless Set Screw - M4x6	
106	03140080Z	Philips Screw - 4x8	
107	08053208	Ball Bearing -6x10x3mm	
108	08074076	Washer - 8.2x6.1 x0.3mm	
109	05740040E	Hexagon Headless Set Screw - M4x4	
110	03150120Z	Philips Screw - 5x12	
111	09513006Z	Philips ScrewWith Flat Washer - M3	
112	07200050Z	Retaining Ring - M5	
113	12041494	Micro Switch	
114	03130140Z	Philips Pan Head Screw - M3x14	

7. PAPER FEED ROLLER AND PAPER SEPARATION ROLLER (C212/C213)

February 28, '91

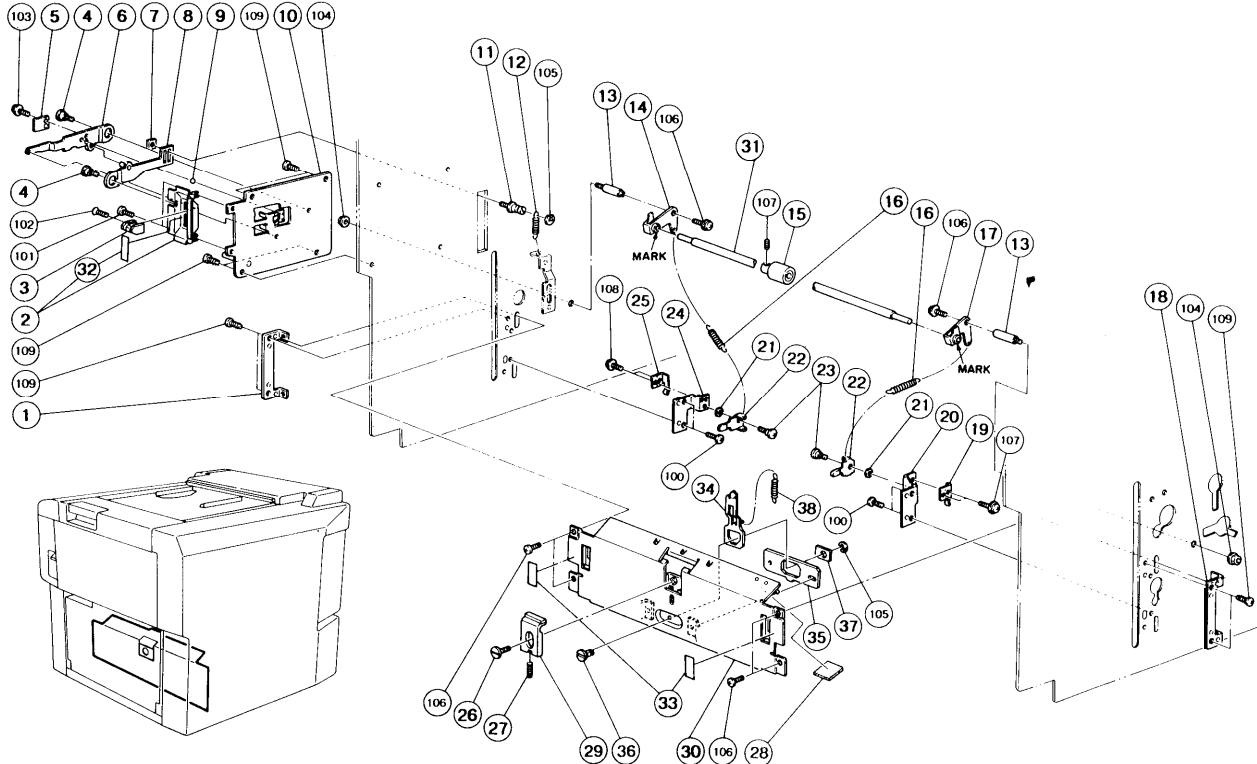


7. PAPER FEED ROLLER AND PAPER SEPARATION ROLLER (C212/C213)

February 28,'91

Index No.	Part No.	Description	Q'ty Per Assembly
1	C203 5020	Spring - Feed Roller Pressure	1
2	C203 5025	Spring Link	1
3	C209 5035	Feed Roller Arm	1
4	C203 5113	Bushing - 6x9x3mm	1
5	C207 5030	Feed Roller Holder	1
6	C203 5046	Bushing - 14x20x9mm	1
7	C203 5049	Front Bushing Stud	1
8	C203 5050	Rear Bushing Stud	1
9	C203 5220	Gear - 18T	1
10	C201 5073	Arm Balancer - Feed Roller	1
11	C203 5061	Collar - Reverse Roller Release	1
12	56001081	Right Bushing - Paper Feed Roller	1
13	C203 5027	Adjusting Plate	1
14	C203 5055	Actuator - Paper Feed Table	1
15	56062066	Paper Feed Guide Disc	2
16	56001088	Spacer -10.2 x 20	2
17	55064169	Rubber Roller - Paper Feed	4
18	C207 5023	Separator Roller Ass'y	1
19	55076035	Timing Belt - 162XL	1
20	55076032	Timing Belt Pulley - 30T	2
21	C207 5020	Upper Roller Shaft	1
22	50530419	Bushing - 10mm	1
23	C203 5043	Pick-up Roller Shaft	1
24	55076038	Torque Limiter - Paper Feed Roller	1
25	55076015	Paper Feed Roller	1
26	56001107	Snap Retainer -12	1
27	C203 5045	Bushing - 18x24x28mm	1
28	C203 5051	Arm Stopper	1
29	C203 5201	Tension Arm	1
30	C203 5200	Tension Roller	1
31	C203 5215	Tension Spring	1
32	C203 5208	Tension Bracket	1
33	C203 5225	Spacer - 8x11x1	1
34	C207 9002	Separation Roller Unit	1
35	C207 8316	Grounding Wire - A4	1

Index No.	Part No.	Description	Q'ty Per Assembly
36	C203 5205	Belt Tension Ass'y	1
100	0720 0040Z	Retaining Ring - M4	
101	0951 3005Z	Philips Pan Head Screw - M3 x 5	
102	0594 0080E	Bolt - M4x8	
103	0701 0040Z	Flat Washer - M4	
104	07130040B	Hexagon Nut - M4	
105	0720 0050Z	Retaining Ring - M5	
106	0574 0040E	Hexagon Headless Set Screw - M4x4	
107	03140080Z	Philips Screw - 4x8	
108	0720 0030Z	Retaining Ring - M3	
109	0594 0080Z	Bolt - M4x8	
110	0951 3006Z	Philips Screw With Flat Washer - M3	
111	08044055	Pin	
112	08053263	Bearing -6 x 10x 6mm	
113	0554 0040E	Allen Screw - M4x4	
114	0574 0080E	Hexagon Headless Set Screw - M4x8	
115	14030539	Photointerruptor - EE-SX450-P1 → AWB2004	
116	0314 0120Z	Philips Screw - 4x12	
117	0720 0060Z	Retaining Ring - M6	
118	03140080Z	Philips Screw - 4x8	
119	03140060Z	Philips Pan Head Screw - M4x6	

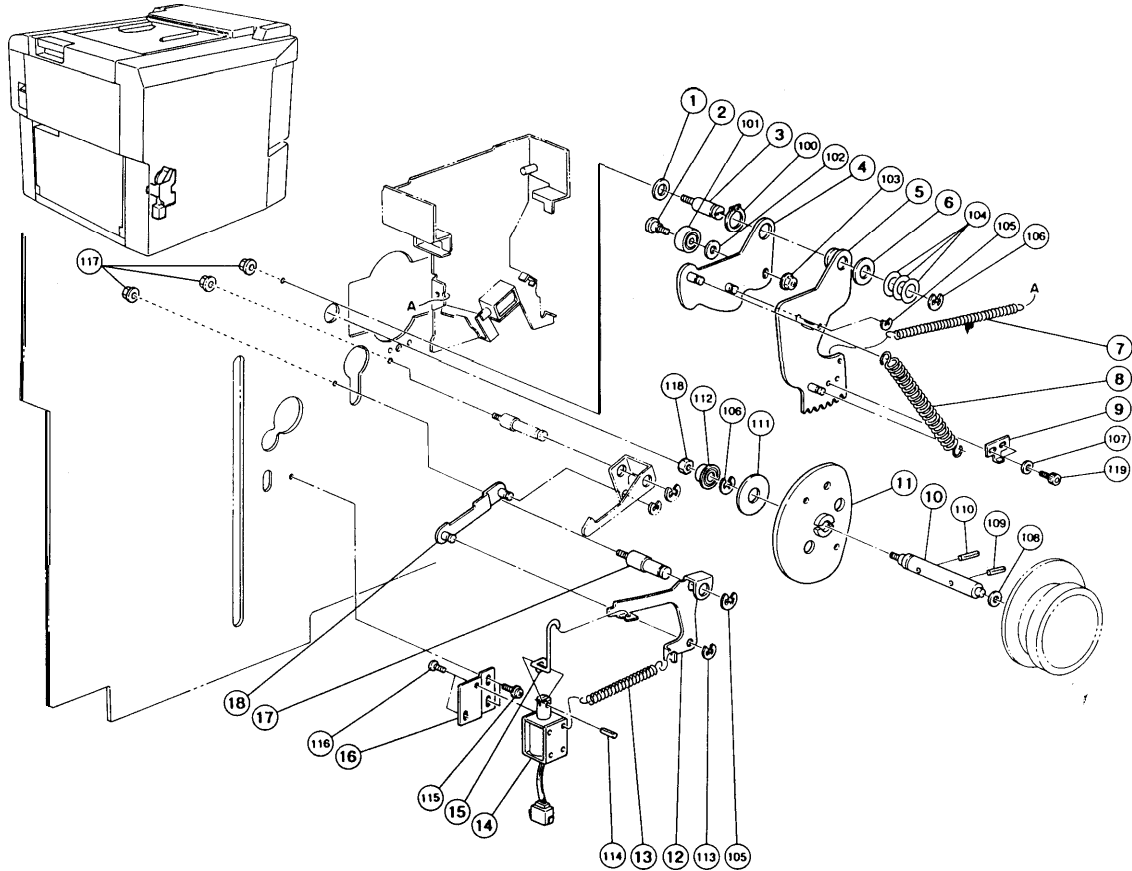


8. PAPER SEPARATION ROLLER (C212/C213)

February 28, '91

Index No.	Part No.	Description	Q'ty Per Assembly
1	C201 5075	Guide Plate Bracket	1
2	C203 2708	Lever Bracket	1
3	C201 2425	Adjusting Lever	1
4	C203 5010	Lever Shaft	2
5	55018180	Flat Spring - Feed Roller Pressure	1
6	C2035007	Paper Feed Lever	1
7	55064235	Plate Nut - Paper Pressure	1
8	C2035013	Lever Supporter	1
9	55018195	Steel Ball 3/1 6,	1
10	C2032026	Lever Bracket-Paper Feed	1
11	C2035017	Spring Stud	1
12	C2035020	Spring -Feed Roller Pressure	1
13	C201 5090	Separation Roller Pressure Stud	2
14	C2035062	Left Arm-Separation	1
15	C2075021	Lower Separator Roller	1
16	C2075070	Separation Roller Pressure Spring	2
17	C2035066	Right Arm-Separation	1
18	C201 5075	Guide Plate Bracket	1
19	C201 5086	Spring Plate - Right	1
20	C201 5084	Right Bracket - Separation Pressure	1
21	C201 5089	Washer - M6	1
22	C201 5088	Separation Pressure Lever	1
23	54032075	Stepped Screw	2
24	C2015083	Left Bracket - Separation Pressure	1
25	C201 5082	Spring Plate - Left	1
26	55076060	Guide Screw - Front Plate	1
27	C207 5012	Pressure Spring	1
28	55076828	Rubber Plate - Feed Table	1
29	55076055	Front Guide Plate	1
30	C207 5046	Guide Plate	1
31	C207 5022	Lower Separation Roller Ass'y	1
32	C203 2737	Paper Feed Decal	1
33	C203 2728	Decal - Paper Separator	2
34	C207 5008	Pressure Plate	1
35	C207 5009	Pressure Plate Holder	1

Index No.	Part No.	Description	Q'ty Per Assembly
36	C207 5010	Adjusting Screw	1
37	C207 5011	Adjusting Plate	1
38	C207 5013	Pressure Spring - Paper Feed	1
100	0314 0080Z	Philips Screw - 4x8	
101	08011004	Screw - M4x4	
102	0323 0100Z	Philips Sunken Head Screw - M3x1o	
103	0951 3006Z	Philips Screw With Flat Washer - M3	
104	07130040B	Hexagon Nut - M4	
105	0720 0040Z	Retaining Ring - M4	
106	0951 4008Z	Philips Screw With Flat Washer M4 x	
107	0574 0040E	Hexagon Headless Set Screw - M4x4	
108	0951 3005Z	Philips Pan Head Screw - M3 x 5	
109	0434 0080Z	Tapping Screw - M4x8	
110	03140080Z	Philips Screw - 4x8	



9. PAPER FEED DRIVE (C212/C213)

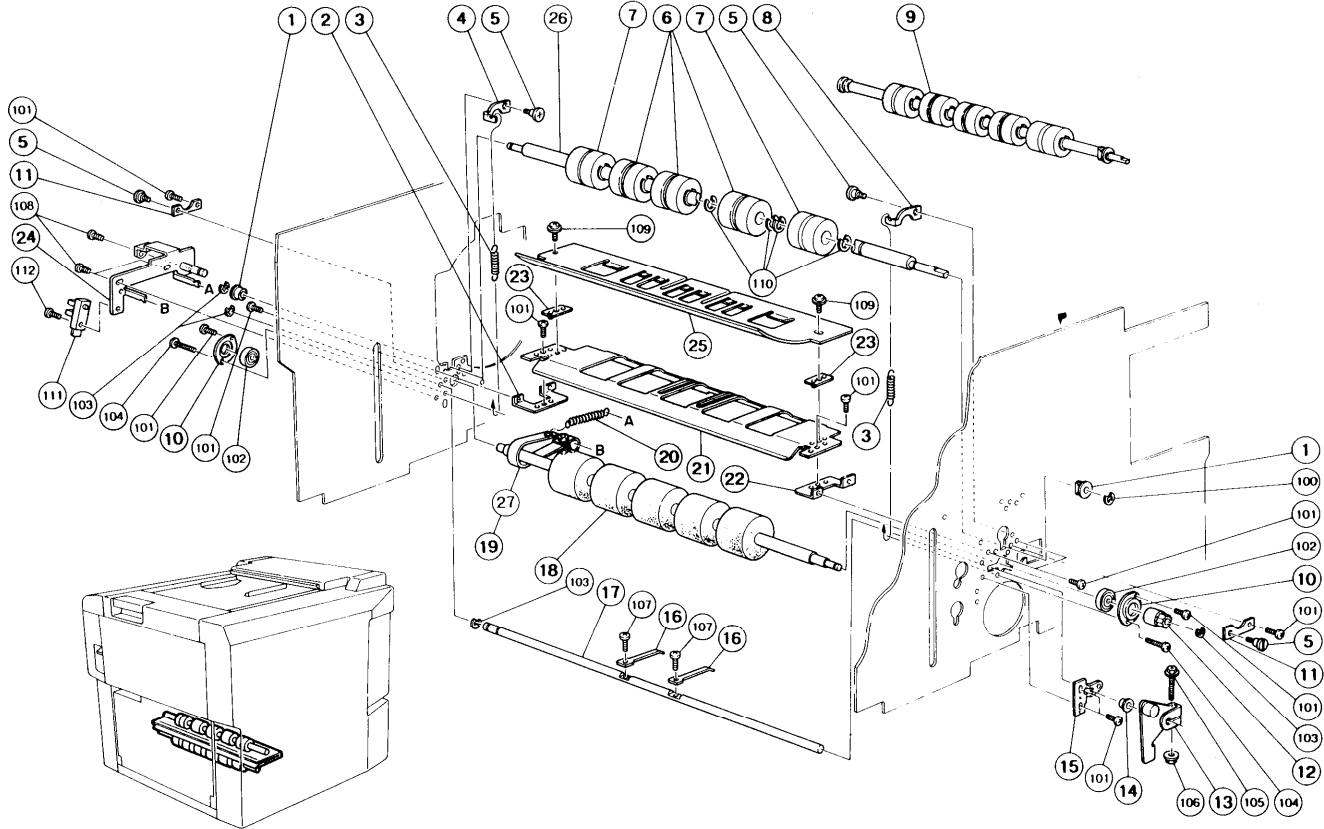
February 28, '91

Index No.	Part No.	Description	Q'ty Per Assembly
1	55015929	Spacer - 5.2 m m x 1 6 m m x 1	1
2	C2035194	Shoulder Screw - M4	1
3	C219 5127	Sector Gear Stud	1
4	C2005190	Paper Feed Sector Cam	1
5	C2035175	Sector Gear → 03243101	1
6	56001086	Spacer -10.2 x 20	1
7	C200 5222	Sector Spring	2
8	C200 5205	Paper Feed Spring	1
9	C2035180	Sector Gear Stopper	1
10	C201 2228	Feed Cam Shaft	1
11	C2135110	Paper Feed Cam	1
12	C200 5238	Sector Stopper - Feed Roller	1
13	C200 5235	Paper Feed Solenoid Spring	1
14	C200 8432	Paper Feed Solenoid	1
15	C200 5226	Link - Paper Feed Solenoid	1
16	C200 5225	Bracket - Paper Feed Solenoid	1
17	C203 2073	Stopper Stud - Paper Feed	1
18	C201 5101	Link	1



Index No.	Part No.	Description	Q'ty Per Assembly
100	0725 0220Z	Retaining Ring - M22	
101	07403007	Ball Bearing - 7x19x6mm	
102	08075004	Washer	
103	0713 0040B	Hexagon Nut - M4	
104	08077018	Washer- M10	
105	0720 0060Z	Retaining Ring - M6	
106	0720 0080Z	Retaining Ring - M8	
107	0701 0040Z	Flat Washer - M4	
108	08077013	Spacer -10.2 x 14x 0.2 mm	
109	0624 0160E	Spring Pin - 4x16mm	
110	08044048	Spring Pin - 4x20	
111	08077055	Holder - Main Shaft	
112	0741 3807S	Bearing	
113	0720 0040Z	Retaining Ring - M4	
114	0623 0100E	Spring Pin - 3x10mm	
115	0951 4006Z	Philips Screw With Flat Washer - M4	
116	03130040Z	Philips Pan Head Screw - M3x4	
117	0713 0050B	Hexagon Nut - M5	
118	0712 0060Z	Hexagon Nut - M6	
119	0594 0060E	Socket Screw - 4x6	





10. 2ND FEED ROLLER (C212/C213)

February 28, '91

Index No.	Part No.	Description	Q'ty Per Assembly
1	C200 5150	Bushing - 7x18x9mm	2
2	C2005137	Left Bracket - Guide Plate	1
3	55056528	Spring - Press Roller	2
4	C2005154	Left Spring Arm	1
5	C201 5125	Shoulder Screw - M4	4
6	C2075148	Upper Feed Roller	3
7	C200 5340	Upper Feed Roller	2
8	C2005155	Right Spring Arm	1
9	C2075138	Upper Feed Roller Ass'y	1
10	C201 5134	Bearing Holder	2
11	C2005153	Bushing Supporter	2
12	C2075231	Gear - 14T	1
13	C203 5515	Paper Detecting Arm C2095515	1
14	56001080	Bush - Paper Feed Roller - Left	1
15	C201 5505	Height Sensor Bracket	1
16	C200 5504	Paper Detecting Pin	2
17	C200 5503	Paper Detecting Shaft	1
18	C203 5230	Lower Second Feed Roller	1
19	C2035198	Feed Roller Brake Ass'y	1
20	55018328	Spring - Feed Roller Brake	1
21	C201 5124	Lower Guide Plate	1
22	C2005138	Right Bracket - Guide Plate	1
23	C2075125	Guide Plate Spacer	2
24	C213 2034	Counter Sensor Shaft	1
25	C2075123	Upper Guide Plate	1
26	C201 5139	Lower Shaft - Feed Roller	1
27	56062213	Lower Second Feed Roller Brake - Belt	1

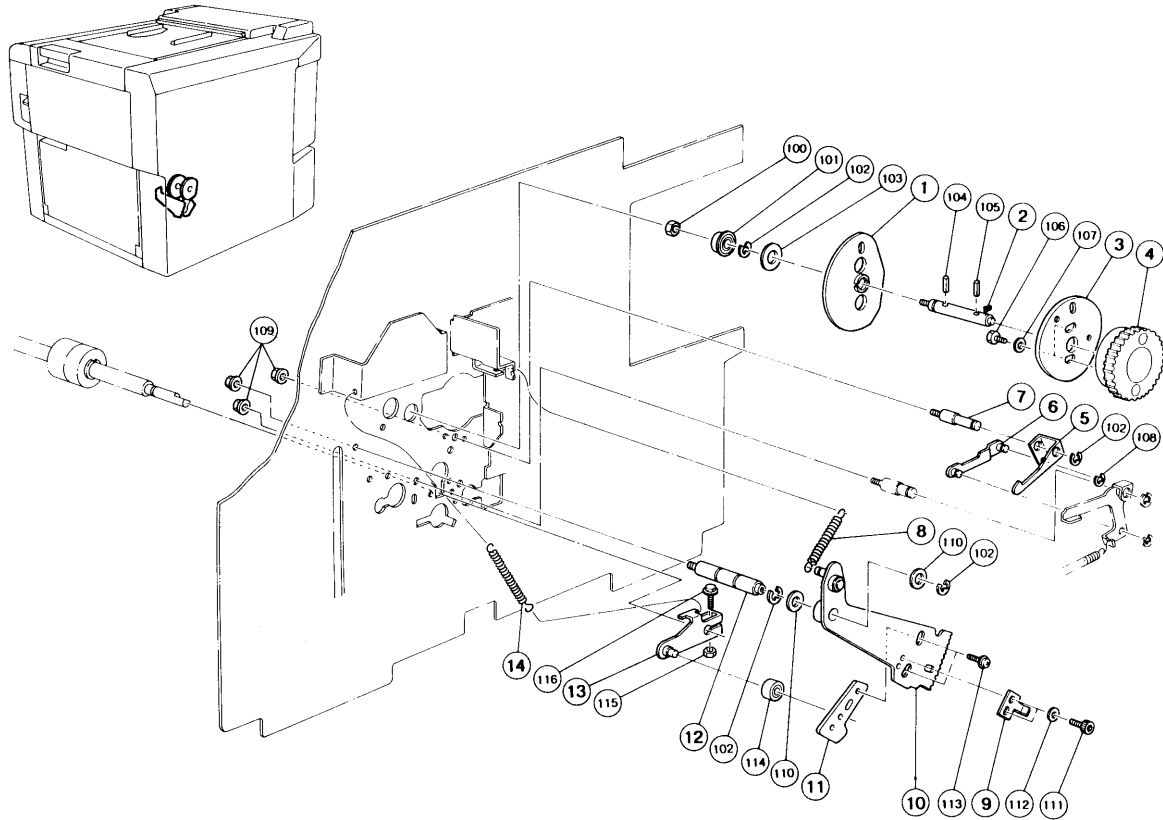


Index No.	Part No.	Description	Q'ty Per Assembly
100	0720 0060Z	Retaining Ring - M6	
101	0314 0080Z	Philips Screw - 4x8	
102	07403010	Ball Bearing - 10x26x8mm	
103	0720 0050Z	Retaining Ring - M5	
104	03140200Z	Philips Screw - 4x20	
105	0804 6090	Hexagon Bolt - M4	
106	0713 0040B	Hexagon Nut - M4	
107	03130050Z	Philips Screw - 3x5	
108	03140080Z	Philips Screw - 4x8	
109	0951 4006Z	Philips Screw With Flat Washer - M4	
110	08050084	Retaining Ring	
111	14030539	Photointerruptor - EE-SX450-P1 → AW020091	
112	03140100Z	Philips Screw - 4x10	
113	05730050E	Hexagon Headless Set Screw - M3 x 5	

~B!
~B!

B/B



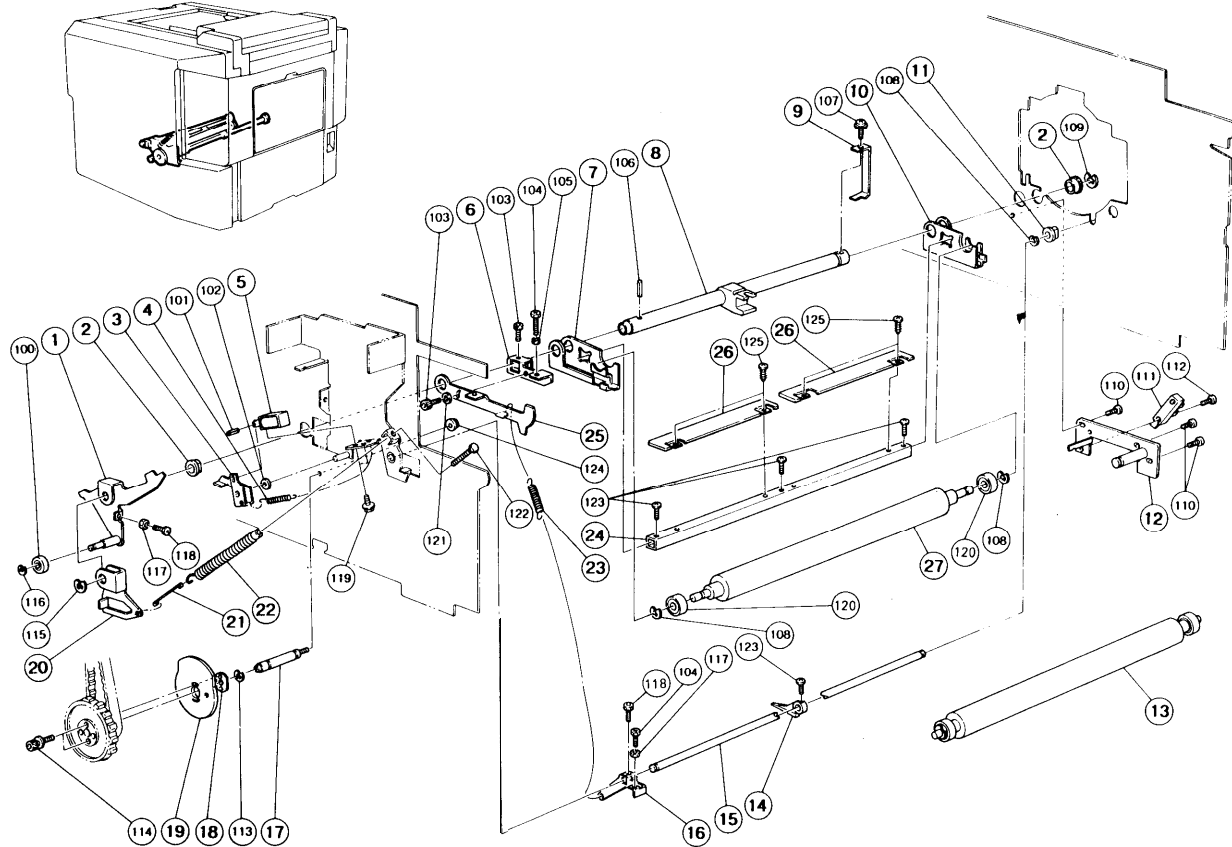


11. 2ND FEED DRIVE (C212/C213)

February28,'91

Index No.	Part No.	Description	Q'ty Per Assembly
1	C2135110	Paper Feed Cam	1
2	C201 2228	Feed Cam Shaft	1
3	C213 5120	Second Feed Roller Cam	1
4	C201 2229	Gear - 50T	1
5	C200 5239	FeedSectorStopper	1
6	C201 5101	Link	1
7	C2032075	Feed GearStopper Shaft	1
8	C2005222	SectorSpring	1
9	C203 5191	SectorGearStopper	1
10	C2035184	Sector Gear	1
11	c2005223	Lift Cam	1
12	C2032072	Feed Camshaft	1
13	C201 5142	Lift Arm - Feed Roller	1
14	C201 5145	Lift ArmSpring	1

Index No.	Part No.	Description	Q'ty Per Assembly
100	0712 0060Z	Hexagon Nut - M6	
101	0741 3807S	Bearing	
102	07200080Z	Retaining Ring - M8	
103	08077055	Holder - Main Shaft	
104	08044048	Spring Pin - 4x20	
105	0624 0160E	Spring Pin - 4x16mm	
106	0585 0100Z	Bolt - M5x10	
107	0701 0050Z	Flat Washer - M5	
108	0720 0040Z	Retaining Ring - M4	
109	07130050B	Hexagon Nut - M5	
110	08077018	Washer - M10	
111	0594 0060E	Socket Screw - 4x6	
112	0701 0040Z	Flat Washer - M4	
113	09515010z	Philips Screw With Flat Washer - M5x10	
114	07403808	Bearing - 8x16x5mm	
115	0713 0040B	Hexagon Nut - M4	
116	08046090	Hexagon Bolt - M4	

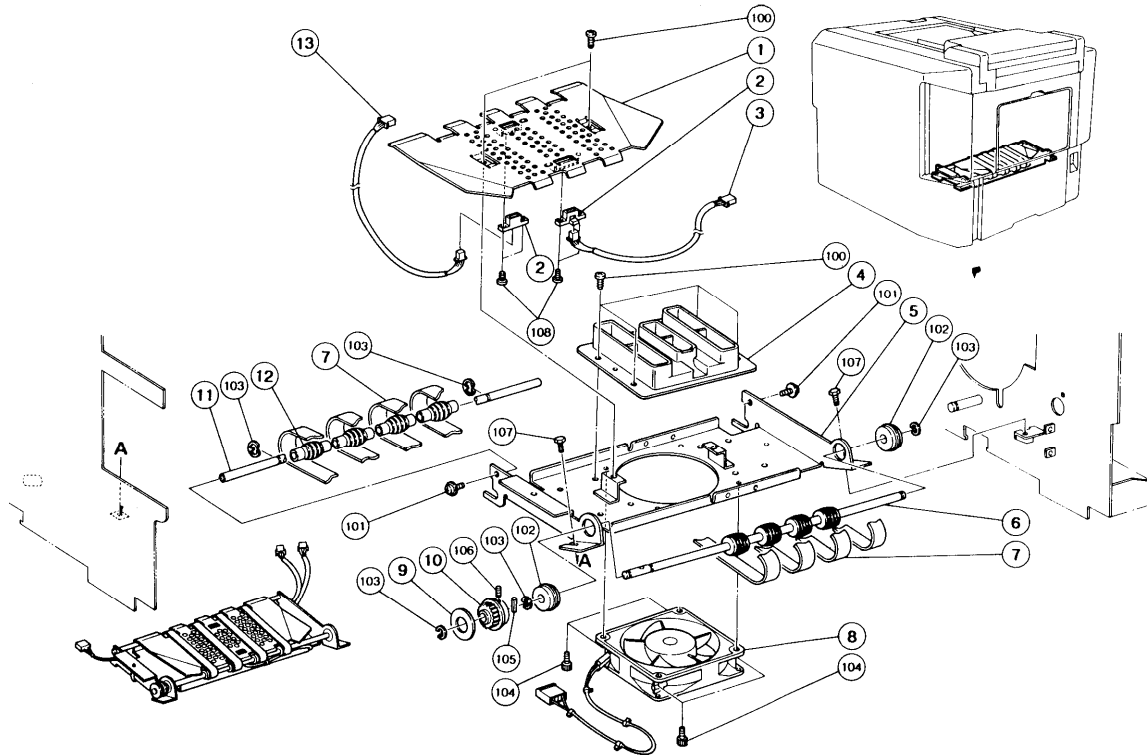


12. PRESS ROLLER (C212/C213)

February 28, '91

Index No.	Part No.	Description	Q'ty Per Assembly
1	C200 5566	Pressure On/Off Lever	1
2	C200 5526	Print Pressure Bushing	1
3	C200 5565	Print Pressure Stopper	1
4	55017559	Spring - Master Feed	1
5	C200 8432	Paper Feed Solenoid	1
6	C200 6002	Adjusting Arm	1
7	C200 5553	Right Arm - Print Pressure	1
8	C203 5505	Print Pressure Shaft	1
9	C203 5507	Shielding Plate	1
10	C200 5552	Left Arm - Print Pressure	1
11	50530223	Bushing - 8mm	1
12	C213 2034	Counter Sensor Shaft	1
13	C203 5509	Press Roller Ass'y	1
14	C200 6008	Exit Pawl	1
15	C203 6003	Pawl Shaft	1
16	C200 6004	Exit Pawl Lever	1
17	C200 2225	Pressure Cam Shaft	1
18	C200 2224	Plate Nut - Print Pressure Cam	1
19	C213 5560	Printer Pressure Cam	1
20	C200 5541	Print Pressure Arm	1
21	C200 5543	Pressure Spring Link	1
22	56073261	Print Pressure Spring	1
23	56072814	Roller Spring	1
24	C201 5550	Printing Pressure Stay	1
25	C203 6004	Pawl Cam	1
26	C200 5557	Rear Guide Plate	2
27	C201 5555	Press Roller	1
z8	C203 2083		

Index No.	Part No.	Description	Q'ty Per Assembly
100	07403206	Ball Bearing	
101	06230100E	Spring Pin - 3x10mm	
102	0700 0060G	Flat Washer - M6	
103	0594 0060E	Socket Screw - 4x6	
104	0584 0121Z	Hexagon Bolt - M4x12	
105	0710 0040Z	Hex Nut 4	
106	0624 0220E	Spring Pin - 4x20mm	
107	0951 4008Z	Philips Screw With Flat Washer M4 x	
108	0720 0060Z	Retaining Ring - M6	
109	0720 0120Z	Retaining Ring - M12	
110	03140080Z	Philips Screw - 4x8	
111	14030539	Photointerruptor - EE-SX450-P1 → <i>AW02041</i>	
112	03140100Z	Philips Screw - 4x10	
113	07200100Z	Retaining Ring - M10	
114	08046092	Hexagonal Set Screw	
115	0720 0120Z	Retaining Ring - M12	
116	0720 0040Z	Retaining Ring - M4	
117	0710 0040Z	Hex Nut 4	
118	0593 0060E	Bolt M3x8	
119	08046101	Hexagon Bolt - M3	
120	07403007	Ball Bearing - 7x1 9x6mm	
121	0701 0040Z	Flat Washer - M4	
122	05860451Z	Hexagon Bolt - M6x45	
123	03130060Z	Philips Pan Head Screw - M3x6	
124	0713 0050B	Hexagon Nut - M5	
125	0433 0080Z	Tapping Screw - M3x8	
106	08044060	Spring Pin 4x22	

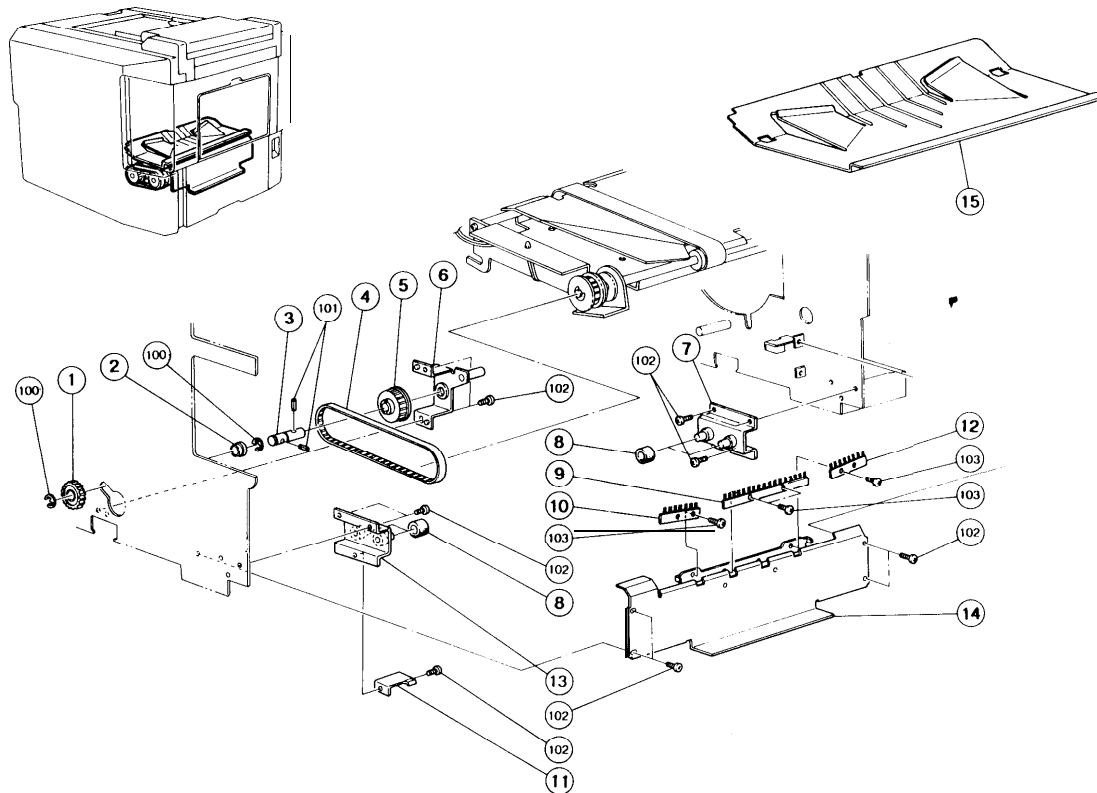


13. PAPER DELIVERY I (C212/C213)

February 28, '91

Index No.	Part No.	Description	Q'ty Per Assembly
*	C207 1027	Paper Delivery Unit	1
1	C207 6005	Vacuum Plate	1
2	14030456	Photo Sensor	2
3	C207 8055	2nd Paper Exit Sensor Harness	1
4	C207 6017	Vacuum Duct	1
5	C207 6001	Vacuum Plate Base	1
6	C207 6009	Drive Roller - Transport Belt	1
7	C207 6011	Transport Belt	4
8	C207 8410	Blower Motor - AC 14/13W	1
9	C203 6065	Pulley Flange	1
10	C201 6080	Pulley - 16T	1
11	C207 6019	Idler Roller Shaft	1
12	C207 6008	Idler Roller - Transport Belt	4
13	C207 8053	1st Paper Exit Sensor Harness	1

Index No.	Part No.	Description	Q'ty Per Assembly
100	0434 0060Z	Tapping Screw - M4x6	
101	0960 4008Z	Flange Head Screw -4 x 8	
102	08053452	Ball Bearing - 10x22x6mm	
103	0720 0080Z	Retaining Ring - M8	
104	0594 0080E	Bolt - M4x8	
105	0623 0160E	Spring Pin - 3x1 6mm	
106	0554 0040E	Allen Screw - M4x4	
107	0594 0080E	Bolt - M4x8	

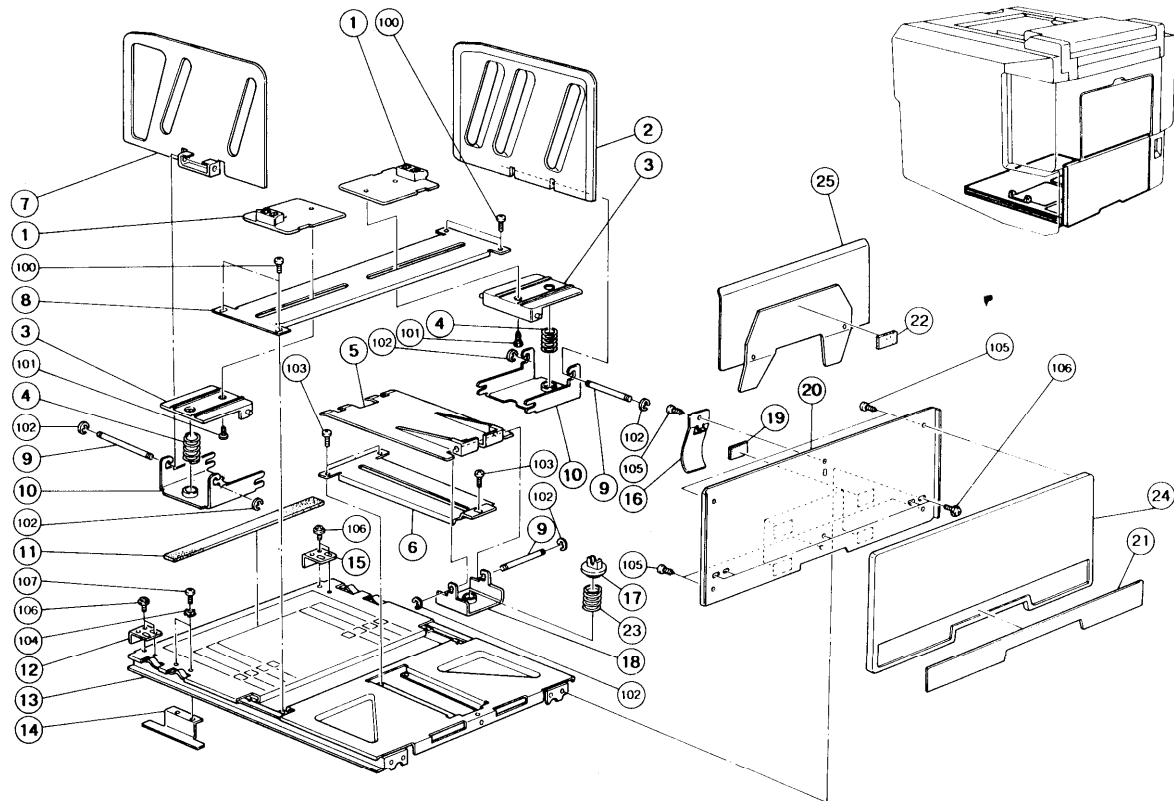


14. PAPER DELIVERY II (C212/C213)

February 28, '91

Index No.	Part No.	Description	Q'ty Per Assembly
1	C200 6058	Gear - 28T	1
2	50700719	Bearing - Shaft - Drive - Fitting -	1
3	C203 6064	Idol Shaft	1
4	C200 6060	Timing Belt - 172XL	1
5	C200 6059	Pulley - 25T	1
6	C203 6060	Vacuum Drive Bracket	1
7	C203 6070	Left Bracket	1
8	C203 6076	Slider Roller	4
9	C200 6135	Antistatic Brush	1
10	C203 6085	2nd Antistatic Brush	2
11	C203 6077	Leaf Spring	1
12	C203 6085	2nd Antistatic Brush	1
13	C203 6073	Right Bracket	1
14	C207 6081	Paper Delivery Plate	1
15	C207 6201	Shelter Plate	1

Index No.	Part No.	Description	Q'ty Per Assembly
100	0720 0080Z	Retaining Ring - M8	
101	0623 0180E	Spring Pin - 3x18mm	
102	0314 0080Z	Philips Screw - 4x8	
103	0313 0040Z	Philips Pan Head Screw - M3x4	

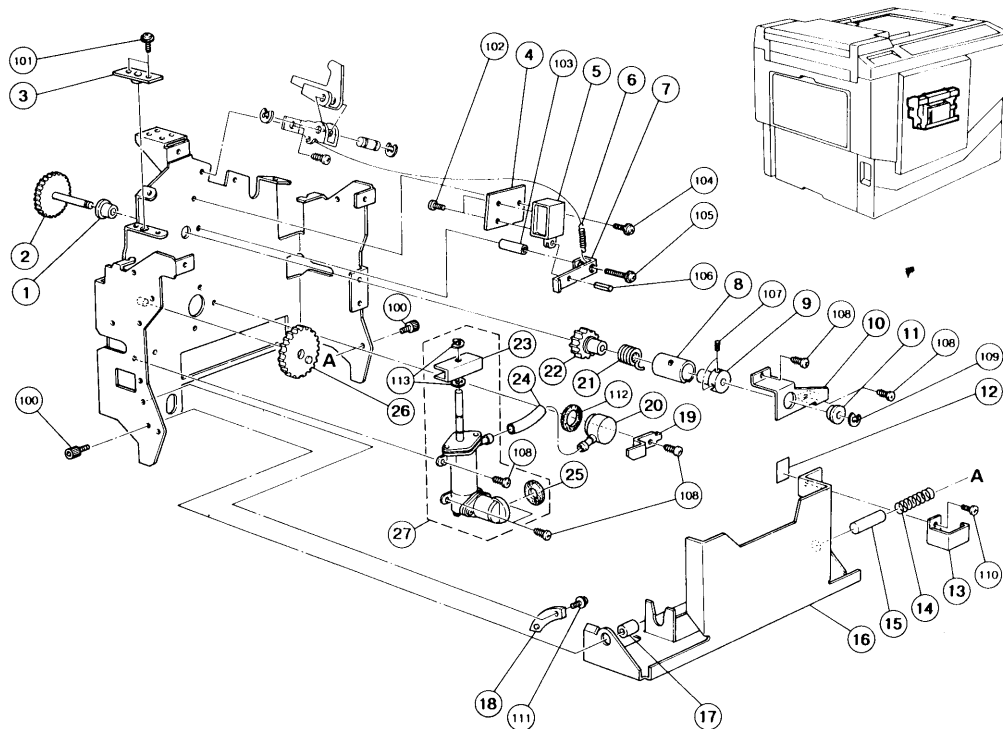


15. DELIVERY TABLE (C212/C213)

February 28, '91

Index No.	Part No.	Description	Q'ty Per Assembly
1	C203 6123	Guide Slider	2
2	C213 6118	Left Guide Plate	1
3	C2036122	Guide Plate Slider	2
4	C2076125	Guide Plate Spring	2
5	C2076132	Support End Fence	1
6	C2036129	End Fence Support Rail	1
7	C213 6119	Right Guide Plate	1
8	C2036115	Guide Plate Rail	1
9	C2036132	End Fence Support Shaft	3
10	C2036124	Guide Plate Bracket	2
11	C203 6139	SpongeSeal-4x12x200	1
12	C2036078	Delivery Table Stopper	1
13	C2076104	DeliveryTable-A4	1
13	C2076220	DeliveryTable-LT	1
14	C203 6138	Antistatic Bracket	1
15	C2036078	DeliveryTable Stopper	1
16	C203 6147	Leaf Spring	1
17	C2036134	End Fence Support Slider	1
18	C203 6135	Support Bracket	1
19	C2036145	Rubber Seal-2x20x30	4
20	C203 6143	DeliveryTable Fence	1
21	C2012447	Paper DeliveryCover Sheet	1
22	C2136110	Felt - Side Plate	1
23	C2036125	Guide Plate Spring	1
24	C201 2445	Paper Delivery Cover	1
25	C2036150	End FenceAss'y	1

Index No.	Part No.	Description	Q'ty Per Assembly
100	0314 0080Z	Philips Screw - 4x8	
101	0433 0082Z	Tapping Screw - M3x8	
102	0720 0030Z	Retaining Ring - M3	
103	0313 0060Z	Philips Pan Head Screw - M3x6	
104	0704 0030W	Toothed Washer - M3	
105	0433 0062W	Hexagon Head Tapping Screw - M3x6	
106	0951 4008Z	Philips Screw With Flat Washer M4 x	
107	0313 0060W	Philips Pan Head Screw- M3x6	



16.DRUM SECTION I (C212/C213)

February 28, '91

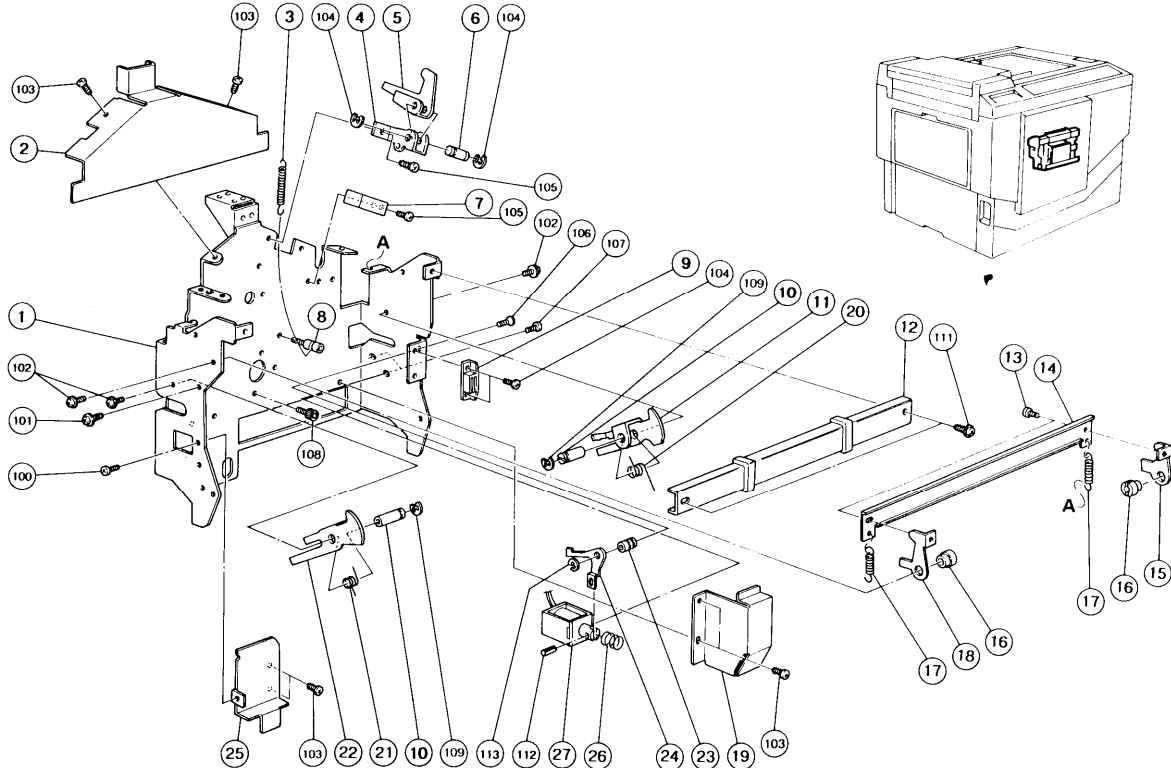
Index No.	Part No.	Description	Q'ty Per Assembly
1	55076624	Bushing - 8x16x45mm	1
2	C200 4852	Gear - 50T	1
3	C200 4814	Bushing - 6x10x55mm	1
4	C200 4864	Bracket - Ink Supply Solenoid	1
5	C2018062	Ink Supply Solenoid	1
6	56073705	Drive Spring	1
7	C200 4862	Ink Stopper	1
8	C200 4861	Pump Clutch Sleeve	1
9	C2014067	Pump Clutch Collar	1
10	C2014677	Clutch Bracket	1
11	55076624	Bushing - 8x16x45mm	1
12	C200 4928	Seal - 0.5x14x9	1
13	C201 4639	Ink Holder Handle	1
14	C2014682	Ink Cartridge Spring	1
15	C200 4924	Right Shaft - Ink Holder	1
16	C203 4553	Ink Holder	1
17	C200 4923	Left Shaft - Ink Holder	1
18	C200 4926	Ink Holder Cam	1
19	C200 4813	Support Plate - Ink Antechamber	1
20	C200 4810	Ink Antechamber	1
21	C201 4676	Clutch Spring	1
22	C201 4674	Gear - 25T	1
23	C2014679	Ink Pump Slider	1
24	C200 4815	Vinyl Tube - M6	1
25	C200 4826	Pump Rubber	1
26	C200 4867	Gear - 50T	1
27	C2014670	Ink Pump	1

Index No.	Part No.	Description	Q'ty Per Assembly
100	05950080Z	Bolt - M5x8	
101	0951 4006Z	Philips Screw With Flat Washer - M4	
102	0313 0040Z	Philips Pan Head Screw - M3x4	
103	0707 4160B	Bushing - 4x16mm	
104	0960 4006Z	Philips Frang Screw - M4x6	
105	0951 4020Z	Philips Screw With Flat Washer - M4	
106	0623 0080E	Spring Pin - 3x8mm	
107	0574 0050E	Hexagon Headless Set Screw - M4x5	
108	0434 0080Z	Tapping Screw - M4x8	
109	0720 0060Z	Retaining Ring - M6	
110	0314 0060Z	Philips Pan Head Screw - M4x6	
111	09514010Z	Philips Screw With Flat Washer M4 x	
112	0808 0021	Rubber Ring	
113	0720 0050Z	Retaining Ring - M5	



17. DRUM SECTION II (C212/213)

February 28, '91

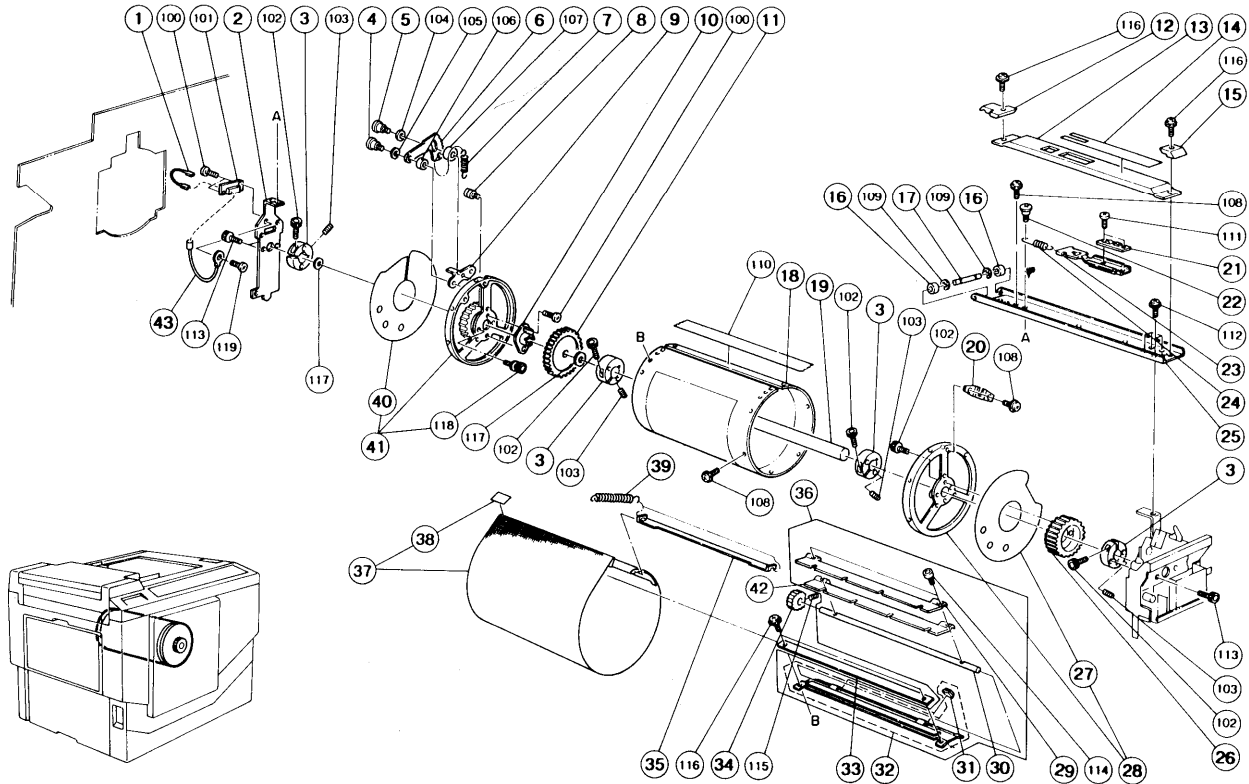


17. DRUM SECTION II (C212/C213)

February 28, '91

Index No.	Part No.	Description	Qty Per Assembly
1	C207 4570	Drum Side Plate	1
2	C207 4575	Side Plate Cover - Drum	1
3	C200 4914	Drum Stopper Spring	1
4	C200 4912	Drum Stopper Bracket	1
5	C203 4532	Drum Stopper	1
6	C200 4913	Drum Stopper Shaft	1
7	C207 4574	Spring Cover	1
8	54132266	Spring Anchor	1
9	50540536	Magnet Catch Ass'y	1
10	C200 4633	Drum Lock Shaft - Long	2
11	C207 4565	Right Arm - Drum Lock	1
12	C201 4636	Drum Unit Handle	1
13	54003404	Stepped Screw	2
14	C200 4639	Release Lever - Drum Lock	1
15	C200 4637	Right Stopper - Drum Lock	1
16	C200 4638	Drum Lock Shaft - Small	2
17	C200 4640	Stopper Spring - Drum Lock	2
18	C200 4636	Left Stopper - Drum Lock	1
19	C207 4576	Lower Cover	1
20	C200 4635	Drum Lock Spring - Right	1
21	C200 4634	Drum Lock Spring - Left	1
22	C200 4631	Left Arm - Drum Lock	1
23	C207 4566	Arm Stopper Shaft	1
24	C207 4567	Arm Stopper	1
25	C200 4623	Rear Cover - Drum Side Plate	1
26	C207 4568	Release Spring	1
27	C207 8211	Drum Lock Solenoid	1

Index No.	Part No.	Description	Qty Per Assembly
100	0434 0060Z	Tapping Screw - M4x6	
101	04340100Z	Pan Head Self-tapping Screw - M4x10	
102	0951 4006Z	Philips Screw With Flat Washer - M4	
103	0434 0060Z	Tapping Screw - M4x6	
104	0720 0050Z	Retaining Ring - M5	
105	0434 0080Z	Tapping Screw - M4x8	
106	0313 0040Z	Philips Pan Head Screw - M3x4	
107	0313 0140Z	Philips Pan Head Screw M3x14	
108	0594 0080E	Bolt - M4x8	
109	0720 0060Z	Retaining Ring - M6	
110	03140060Z	Philips Pan Head Screw - M4x6	
111	0964 4008Z	Tapping Screw W/Washer - M4x8	
112	0622 0080E	Spring Pin - 2x8mm	
113	0720 0070Z	Retaining Ring - M7	

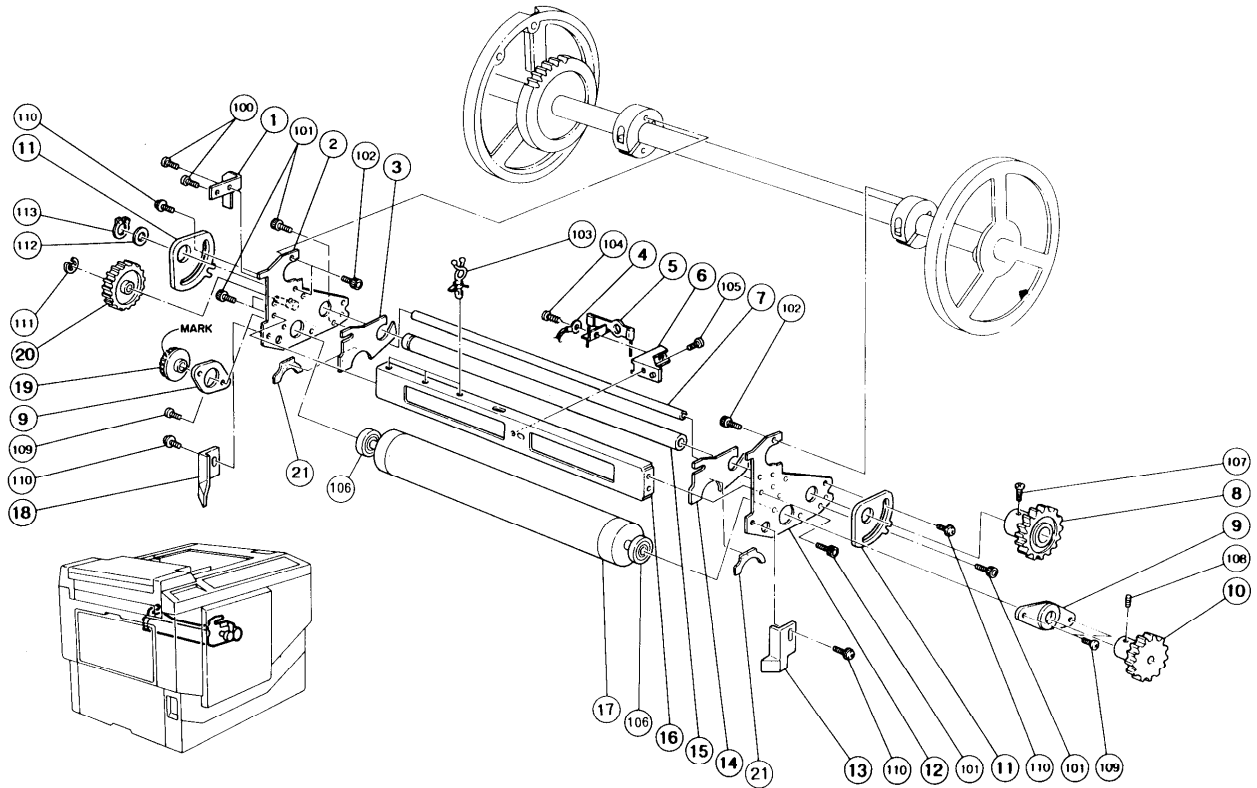


B. DRUM SECTION III (C212/C213)

February 28, '91

Index No.	Part No.	Description	Q'ty Per Assembly
1	C200 8524	Color Drum Harness	1
2	C200 4613	Rear Side Plate - Drum	1
3	C200 4653	DrumShaftBracket	4
4	55066069	Step Screw - Etching Middle Roller	1
5	C200 4946	ClamperSectorShaft	1
6	C200 4944	Sector Gear-9T	1
7	C200 4945	SectorGearSpring	1
8	54133082	SpringAnchor-Lock Lever	1
9	C201 4686	Interrupter Plate	1
10	C200 4674	Drive Flange-Ink Roller	1
11	C200 4672	Gear-48T	1
12	C207 4612	Rear RollerGuide	1
13	C201 4613	Drum Rail Cover	1
14	C201 2543	Decal -Drum Caution	1
15	C207 4611	Front Stopper Guide	1
16	C201 4604	Drum Rail Roller	2
17	C200 4627	Drum Rail Shaft	1
18	C213 4690	Metal Screw	1
19	C200 4650	Drum Shaft	1
20	C201 4681	Stopper Plate	1
21	C201 4609	Stopper Releasing Lever	1
22	55066111	Step Screw - Stopper - Upper Guide	1
23	C201 4606	Stopper Releasing Plate	1
24	C201 4610	Drum Slider Spring	1
25	C2004625	Drum Rail	1
26	C2004673	Gear - 50T	1
27	C200 4678	Front Shield - Drum Flange	1
28	C201 4648	Front Drum Flange	1
29	C2074938	Clamper Plate	1
30	C200 4941	Clamper Shaft → C2194941	1
31	C200 4947	Clamper Rubber → C2224947	2
32	C207 4950	Drum Clamper Base Ass'y → C2154950	1
33	C200 4682	Screen Front Plate	1
34	C200 4942	Pinion - 9T	1
35	C2004683	Screen Rear Plate	1

Index No.	Part No.	Description	Q'ty Per Assembly
36	C219 4948	Drum Clamper Assy	1
37	C219 4583	Tetron Screen Ass'y	1
38	C207 4550	Sensor Sheet - 8x20	1
39	C203 4524	Screen Plate Spring	1
40	C200 4679	Rear Shield - Drum Flange	1
41	C203 4560	Rear Drum Flange	1
42	C207 4940	Clamper Magnet	1
43	C200 8522	Ground Wire	1
100	0314 0080Z	Philips Screw - 4x8	
101	11021341	Connector - 8P	
102	0595 0140E	Hexagon Bolt - M5x14	
103	05750080E	Hexagon Headless Set Screw - M5x8	
104	08074126	Flat Washer - 6.2x1 2x0.2mm	
105	08075044	Spacer -8.1 mm x 11 .5mm x 0.2	
106	08075076	Washer - 8x13x2.2mm	
107	08073103	Washer - 4x1 3x2.3mm	
108	0951 4006Z	Philips ScrewWith Flat Washer - M4	
109	07200050. 2	Retaining Ring - M5	
111	03230050Z	Philips Sunken Head Screw - M3x5	
112	0960 4006Z	Philips Frang Screw - M4x6	
113	05940080Z	Bolt - M4x8	
114	08046091	Hexagonal Set Screw - M2x5	
115	0574 0050E	Hexagon Headless Set Screw - M4x5	
116	0951 4008Z	Philips Screw With Flat Washer M4 x	
117	08077114	Washer - 16x24x0.3mm	
118	08046092	Hexagonal Set Screw	
119	031 40060Z	Philips Pan Head Screw - M4x6	

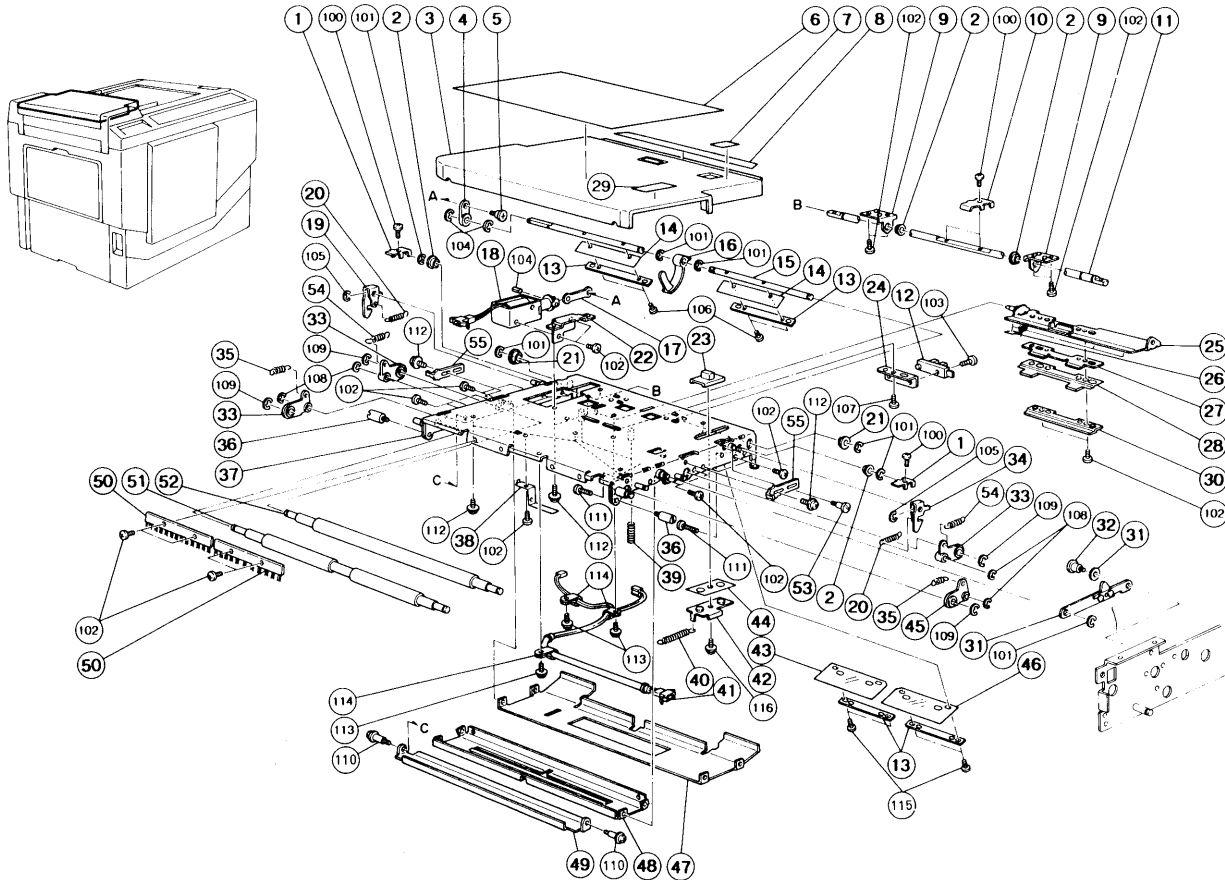


19. DRUM SECTION IV (C212/C213)

February 28, '91

Index No.	Part No.	Description	Q'ty Per Assembly
1	C200 4749	Ground Plate	1
2	C213 4665	Rear Side Plate - Ink Roller	1
3	C215 4551	Rear Bank Plate	1
4	C200 8520	Ink Detector Harness	1
5	C203 4543	Ink Detector	1
6	C200 4733	Ink Detector Bracket	1
7	C200 4715	Shaft Stay - Ink Roller	1
8	C200 4748	Gear - 45T	1
9	C201 4665	Bearing Holder	2
10	C200 3629	Gear - 20T	1
11	C200 4723	Adjusting Plate - Doctor Roller	2
12	C213 4664	Front Side Plate - Ink Roller	1
13	C207 4745	Front Drum Blade	1
14	C215 4350	Front Bank Plate	1
15	C200 4722	Drum Doctor Roller	1
16	C201 4664	Ink Roller Stay	1
17	C201 4666	Drum Ink Roller	1
18	C207 4746	Rear Drum Blade	1
19	C207 4670	Gear - 24Z	1
20	C207 4672	Gear - 36Z	1
21	C200 4763	Sponge - Bank Plate → C215 4554	2
22	C215 4557		2

Index No.	Part No.	Description	Q'ty Per Assembly
100	03140080Z	Philips Screw - 4x8	
101	0594 0060E	Socket Screw - 4x6	
102	0594 0080Z	Bolt - M4x8	
103	11050209	Clamp	
104	0434 0082Z	Tapping Screw - M4x8	
105	03140060Z	Philips Pan Head Screw - M4x6	
106	0740 3206	Ball Bearing	
107	03130050Z	Philips Screw - 3x5	
108	0573 0040E	Hexagon Headless Set Screw - M3x4	
109	03130040Z	Philips Pan Head Screw - M3x4	
110	0951 4006Z	Philips Screw With Flat Washer - M4	
111	0720 0050Z	Retaining Ring - M5	
112	08077114	Washer - 16x24x0.3mm	
113	0725 0160E	Retaining Ring C -M16	



20. ADF (C212/C213)

February 28,'91

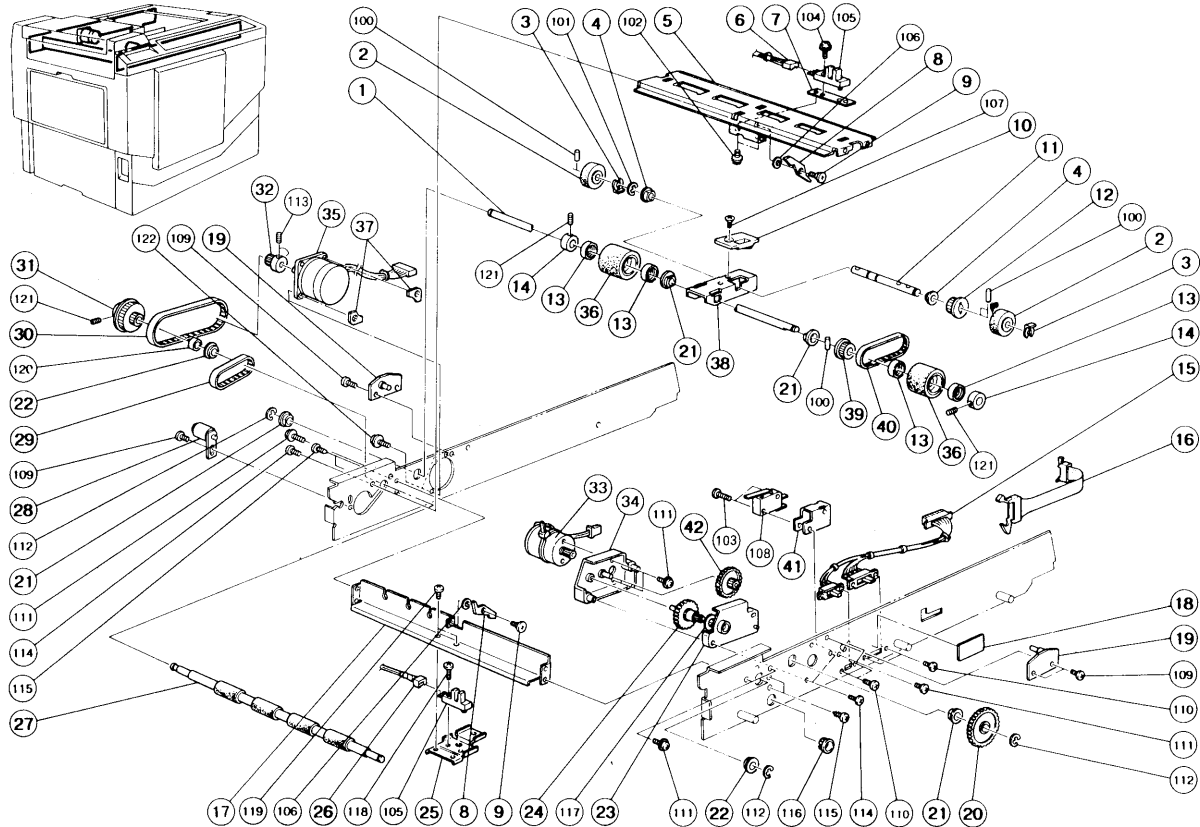
Index No.	Part No.	Description	Q'ty Per Assembly
1	C202 3057	ADF Pawl	2
2	C202 3054	Bushing - 5x7x3mm	4
3	C203 3206	ADF Cover	1
4	C202 3076	Pressure Arm	1
5	C200 3115	Shoulder Screw - Sensor Actuator	1
6	C2072744	Decal -HowToUse Make-up Mode (VT2500)	1
7	C2022430	Decal ADF On/Off	1
8	C202 2408	Decal - ADF	1
9	C202 3051	Shaft Bracket	2
10	C2023055	Release Arm	2
11	C2023058	Arm Shaft	1
12	AW020041	Photointerruptor - EE-SX450-P1	1
13	C202 3121	Mylar Supporter	2
14	C202 3122	Pressure Mylar	2
15	C202 3074	Pressure Shaft	1
16	C202 3075	Sensor Feeler	1
17	C202 3071	Solenoid Link	1
18	C202 8090	Original Pressure Roller	1
19	C202 3062	Right Hook	1
20	C202 3059	Hook Spring	2
21	5053 0447	Bushing - M6	2
22	C202 3072	Solenoid Bracket	1
23	C203 3209	Cam Knob	1
24	C202 3067	Sensor Bracket	1
25	C202 3085	Separation Bracket	1
26	C2023098	Spacer - ADF	3
27	C202 3118	Blade Bracket	1
28	C202 3115	Separation Blade	1
29	C2032735	Decal -Open Carefully	
30	C202 3081	Blade Holder	
31	C209 3141	<u>S</u> t <u>o</u> p <u>p</u> e <u>r</u>	1
32	C203 3027	Shoulder Screw - M4	1
33	C200 3048	Pressure Arm	3
34	C202 3061	Left Hook	1
35	C202 3094	Press Roller Spring	2



Index No.	Part No.	Description	Q'ty Per Assembly
36	C200 3045	Shoulder Screw - Inner Cover	2
37	C207 3101	ADF Base Plate	1
38	C202 3092	Platen Plate Supporter	1
39	C202 3064	Blade Pressure Spring	2
40	56062180	Sector Gear Spring	1
41	C202 8085	ADF Harness	1
42	C202 3144	ADF Cam	1
43	C202 3123	Right Mylar	1
44	C202 3147	Spacer - ADF Cam	1
45	C200 3048	Pressure Arm	1
46	C202 3124	Left Mylar	1
47	C203 3111	Separation Guide Plate	1
48	C201 3066	Original Guide	1
49	C201 3067	Platen Plate	1
50	C200 6135	Antistatic Brush	2
51	C202 3107	Transport Roller	1
52	C200 3065	Original Press Roller	1
53	C202 3066	Shoulder Screw - M3	1
54	C207 3094	Press Roller Spring	2
55	C207 3095	Adjusting Plate	2

Index No.	Part No.	Description	Q'ty Per Assembly
100	03125050Z	Philips Pan Head Screw - M2.5x5	
101	0720 0040Z	Retaining Ring - M4	
102	0313 0050Z	Philips Screw - 3x5	
103	03140100Z	Philips Screw - 4x10	
104	0623 0120E	Spring Pin - 3x1 2mm	
105	0720 0030Z	Retaining Ring - M3	
106	0252 0040Z	Pan Head Screw - M2x4	
107	0951 3006Z	Philips Screw With Flat Washer - M3	
108	0720 0020Z	Retaining Ring - M2	
109	0720 0050Z	Retaining Ring - M5	
110	08030043	Screw - M3x11	
111	0313 0120Z	Philips Screw - 3x12	
112	0951 3005Z	Philips Pan Head Screw - M3 x 5	
113	0951 4006Z	Philips Screw With Flat Washer - M4	
114	11050016	Nylon Clip - 4N	
115	031 25050Z	Philips Pan Head Screw - M2.5x5	
116	0960 3006Z	Philips Flange Screw - M3x6	

Index No.	Part No.	Description	Q'ty Per Assembly

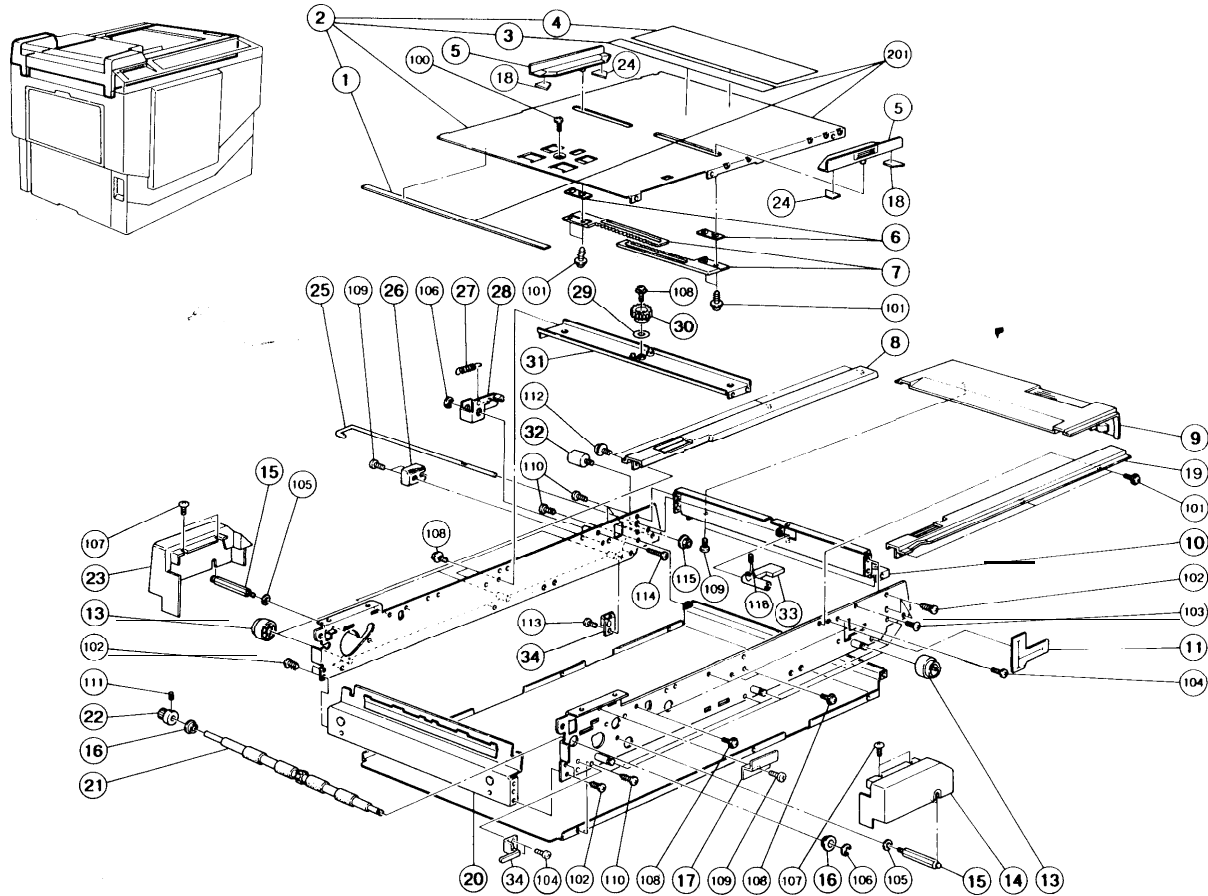


21. SCANNER SECTION I (C212/C213)

February 28, '91

Index No.	Part No.	Description	Q'ty Per Assembly
1	C202 3011	Separation Roller Shaft	1
2	58942171	Original Feed Roller	2
3	54472681	Snap Ring	2
4	50530447	Bushing - M6	2
5	C203 3065	Guide Plate	1
6	C203 8085	Original Sensor Harness	1
7	C201 3074	Sensor Holder - Rear	1
8	C200 3114	Sensor Actuator	2
9	C200 3115	Shoulder Screw - Sensor Actuator	2
10	C202 3020	Pick-up Roller Spacer	1
11	C202 3017	Pick-up Roller Shaft	1
12	59182223	Pulley - 24T	1
13	C202 3013	Spacer - 8x16x7mm	4
14	C201 3077	Fixing Ring - 8x1 6x7mm	2
15	C207 8201	Image Density Switch	1
16	C203 8086	ADF Relay Harness	1
17	C203 3036	Sensor Stay	1
18	C207 2750	Decal - Memory/Class - English	1
19	C202 3022	ADF Stopper	2
20	C202 3019	Gear - 66T	1
21	50530223	Bushing - 8mm	4
22	55076624	Bushing - 8x16x45mm	2
23	C202 3031	Gear Cover	1
24	C202 3034	Coupled Gear - 16/60T	1
25	C202 3021	Sensor Stay	1
26	C203 8084	Scanner Harness	1
27	C201 3068	First Original Feed Roller	1
28	C203 3044	Tension Roller	1
29	C200 3036	Timing Belt - 100XL	1
30	C203 3042	Timing Belt - 128MXL	1
31	C200 3031	Coupled Pulley - 20T & 48T	1
32	C203 3041	Pulley - 15T	1
33	C202 3036	Motor - DC 1.69W	1
34	C202 3032	Gear Casing	1
35	C203 8125	Motor - DC 2.25W	1

Index No.	Part No.	Description	Q'ty Per Assembly
36	C202 3014	Separation Roller	2
37	C203 3043	Motor Plate	2
38	C202 3018	Pick-up Roller Bracket	1
39	58942186	Separation Roller Pulley	1
40	58942174	Timing Belt	1
41	C202 3026	Sensor Bracket	1
42	C202 3035	Coupled Gear - 15T/60T	1
100	0632 0100G	Pin - 2x10mm	
101	0720 0050Z	Retaining Ring - M5	
103	0313 0140Z	Philips Pan Head Screw - M3x14	
102	0951 3005Z	Philips Pan Head Screw - M3 x 5	
104	0313 0100Z	Philips Pan Head Screw - M3x10	
105	AW020041	Photointerruptor - EE-SX450-P1	
106	0701 0030Z	Flat Washer - M3	
107	0323 0050Z	Philips Sunken Head Screw - M3x5	
108	12041320	Switch	
109	08011004	Screw - M4x4	
110	0252 0060Z	Pan Head Screw - M2x6	
111	0951 3006Z	Philips Screw With Flat Washer - M3	
112	0720 0060Z	Retaining Ring - M6	
113	0573 0040E	Hexagon Headless Set Screw - M3x4	
114	03130060Z	Philips Pan Head Screw - M3x6	
115	0434 0080Z	Tapping Screw - M4x8	
116	11060411	Bushing -11.5mm	
117	08075071	Spacer - 10x0.5mm	
118	0314 0100W	Philips Pan Head Screw - M4x10	
119	0313 0060W	Philips Pan Head Screw - M3x6	
120	0707 8080B	Bushing - 8x8mm	
121	0554 0040E	Allen Screw - M4x4	
122	09514010Z	Philips Screw With Flat Washer M4 x	

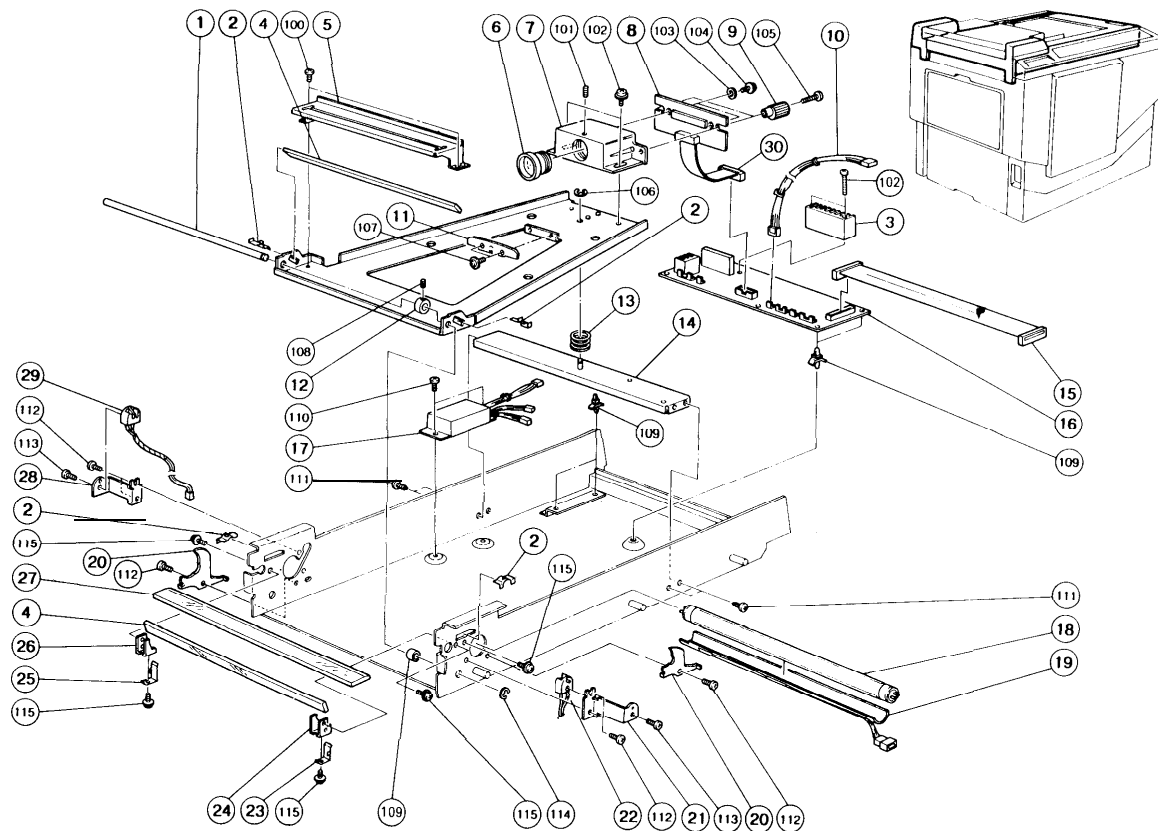


22. SCANNER SECTION II (C212/C213)

February 28, '91

Index No.	Part No.	Description	Q'ty Per Assembly
1	C200 3015	Seal - 1x7x346mm	1
2	C2073130	Original Table - LT(VT2500)	1
2	C207 3135	Original Table - A4(VT2500)	1
2	C2083130	Original Table - LT(VT2300)	1
2	C2043136	Original Table - A4(VT300)	1
3	C203 2733	Decal - Scale - LT	1
3	C204 2717	Decal - Original Level - A4	1
4	C207 2742	Decal - How To Operate - LT	1
4	C207 2752	Decal - How To Operate - A4	1
5	C203 3047	Original Guide	2
6	C203 3018	Original Guide Holder	2
7	C203 3019	Side Fence Gear	2
8	C202 3006	Original Table Frame - Right	1
9	C2033135	Right Cover Scanner	1
10	C2033031	Grip Bracket	1
11	C2073126	Mylar Seal	1
13	C203 3014	Guide Rail Roller	6
14	C203 3039	Left Fluorescent Lamp Cover	1
15	C203 3010	Cover Stud	2
16	55076624	Bushing - 8x16x45mm	2
17	C203 3085	Gear Cover	1
18	C201 3029	Right Mylar - Original Guide	2
19	C202 3005	Original Table Flame - Left	1
20	C203 3071	Stay - Original Exit Tray	1
21	C202 3111	Feed Roller - Left	1
22	C200 3032	Pulley - 20T	1
23	C203 3040	Right Fluorescent Lamp Cover	1
24	C201 3028	Left Mylar - Original Guide	2
25	C213 3033	Lock Lever - Transmission	1
26	C200 3006	Stopper	1
27	C2003106	Lock Spring	1
28	C204 3038	Spring Arm	1
29	54432713	Wave Washer	1
30	C201 3011	Gear - 16T	1
31	C203 3020	Receiving Plate	1

Index No.	Part No.	Description	Q'ty Per Assembly
32	C201 3004	Stopper Stud	1
33	C203 3032	Lock Lever	1
34	C203 3038	Safety Switch Actuator	1
100	0353 0080D	Philips Truss Head Screw - M3x8	
101	0965 3005B	Tapping Screw W/T Flat Washer - M3x5	
102	0434 0080Z	Tapping Screw - M4x8	
103	0343 0060D	Philips Truss Head Screw - M3x6	
104	03140060Z	Philips Pan Head Screw - M4x6	
105	0701 0040Z	Flat Washer - M4	
106	0720 0060Z	Retaining Ring - M6	
107	0344 0080D	Philips Truss Head Screw - M4x8	
108	0951 3006Z	Philips Screw With Flat Washer - M3	
109	0314 0080Z	Philips Screw - 4x8	
110	0433 0080Z	Tapping Screw - M3x8	
111	0554 0040E	Allen Screw - M4x4	
112	0951 3005Z	Philips Pan Head Screw - M3 x 5	
113	03130050Z	Philips Screw - 3x5	
114	03130200Z	Philips Screw - 3x20	
115	07130050B	Hexagon Nut - M5	
116	0553 0100E	Allen Screw - M3x10	

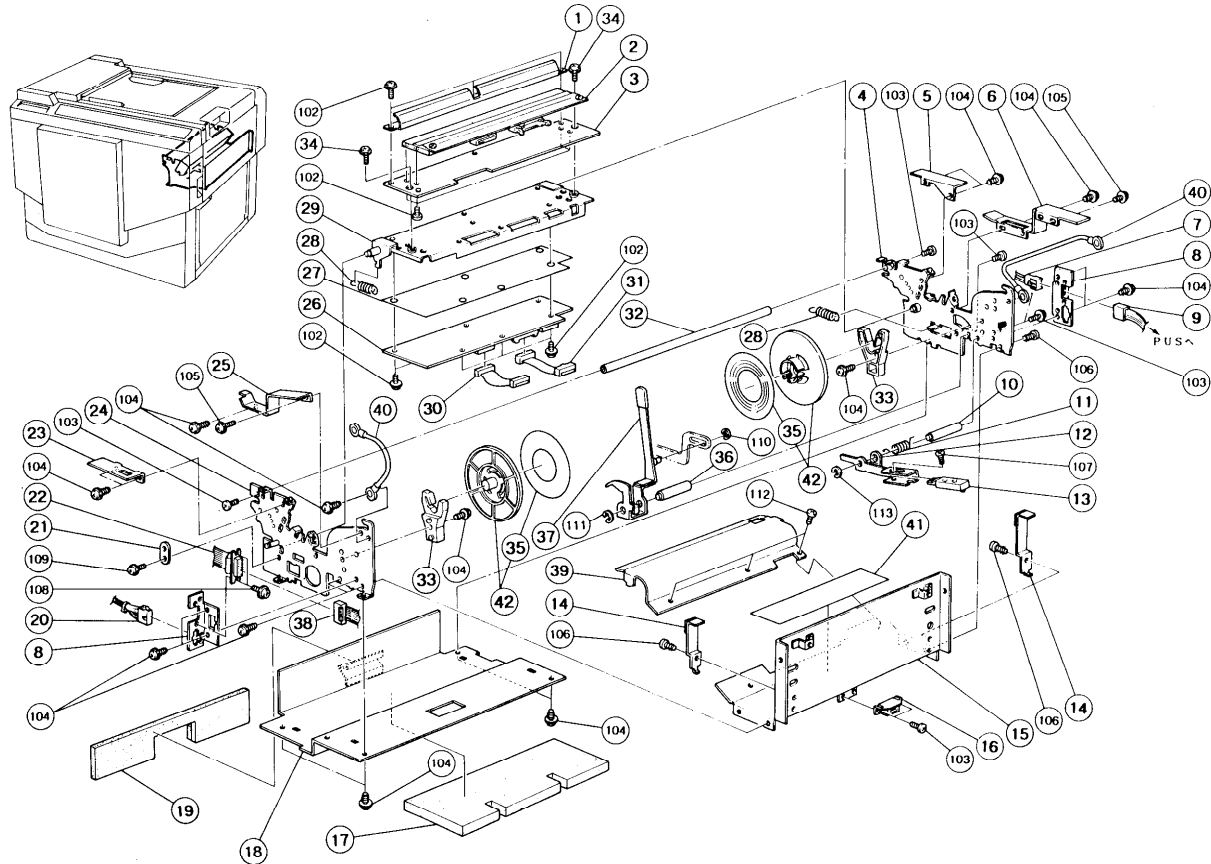


23. SCANNER SECTION III (C212/C213)

February 28, '91

Index No.	Part No.	Description	Q'ty Per Assembly
1	C200 3082	Scanner Unit Shaft	1
2	C200 3072	Leaf Spring	4
3	C203 8014	Radiation Fin	2
4	C200 3086	Scanner Unit Mirror	1
5	C203 3052	Shielding Plate	1
6	C203 3054	Lens - F4/43	1
7	C203 3053	Lens Block	1
8	C203 8022	CCD Board	1
9	54663147	Adjusting Knob	2
10	C2038106	Fluorescent Lamp Harness	1
11	C203 3057	Shading Plate	1
12	C201 3077	Fixing Ring - 8x16x7mm	1
13	C201 3070	Scanner Frame Spring	1
14	C201 3075	Scanner Stay	1
15	C213 8130	Flat Cable - Master Processing	1
16	C207 8012	A/D Conversion Board	1
17	C203 8104	Fluorescent lamp Stabilizer	1
18	C203 8101	Fluorescent Lamp - 59V	1
19	C203 8105	Fluorescent Lamp Heater	1
20	C203 3064	Fluorescent Lamp Cover	2
21	C203 3090	Left Bracket	1
22	C203 8103	Left Socket - Fluorescent Lamp	1
23	C203 3058	Left Mirror Supporter	1
24	C203 3060	Left Mirror Holder	1
25	C203 3059	Right Mirror Supporter	1
26	C203 3061	Right Mirror Holder	1
27	C201 3069	Expousre Glass	1
28	C203 3091	Right Bracket	1
29	C203 8102	Right Socket - Fluorescent Lamp	1
30	C203 8025	CCD Harness	1

Index No.	Part No.	Description	Q'ty Per Assembly
100	03130060Z	Philips Pan Head Screw - M3x6	
101	0553 0100E	Allen Screw - M3x10	
102	0951 4008W	Philips Screw with Flat Washer - M4x8	
103	0701 0040Z	Flat Washer - M4	
104	0951 3006Z	Philips Screw With Flat Washer - M3	
105	0313 0140Z	Philips Pan Head Screw - M3x14	
106	0720 0040Z	Retaining Ring - M4	
107	0951 3006Z	Philips Screw With Flat Washer - M3	
108	0554 0040E	Allen Screw - M4x4	
109	0707 8080B	Bushing - 8x8mm	
110	03130050Z	Philips Screw - 3x5	
111	0434 0080Z	Tapping Screw - M4x8	
112	03140050Z	Philips Pan Head Screw - M4x5	
113	03130060Z	Philips Pan Head Screw - M3x6	
114	0720 0060Z	Retaining Ring - M6	
115	0951 3006Z	Philips Screw With Flat Washer - M3	

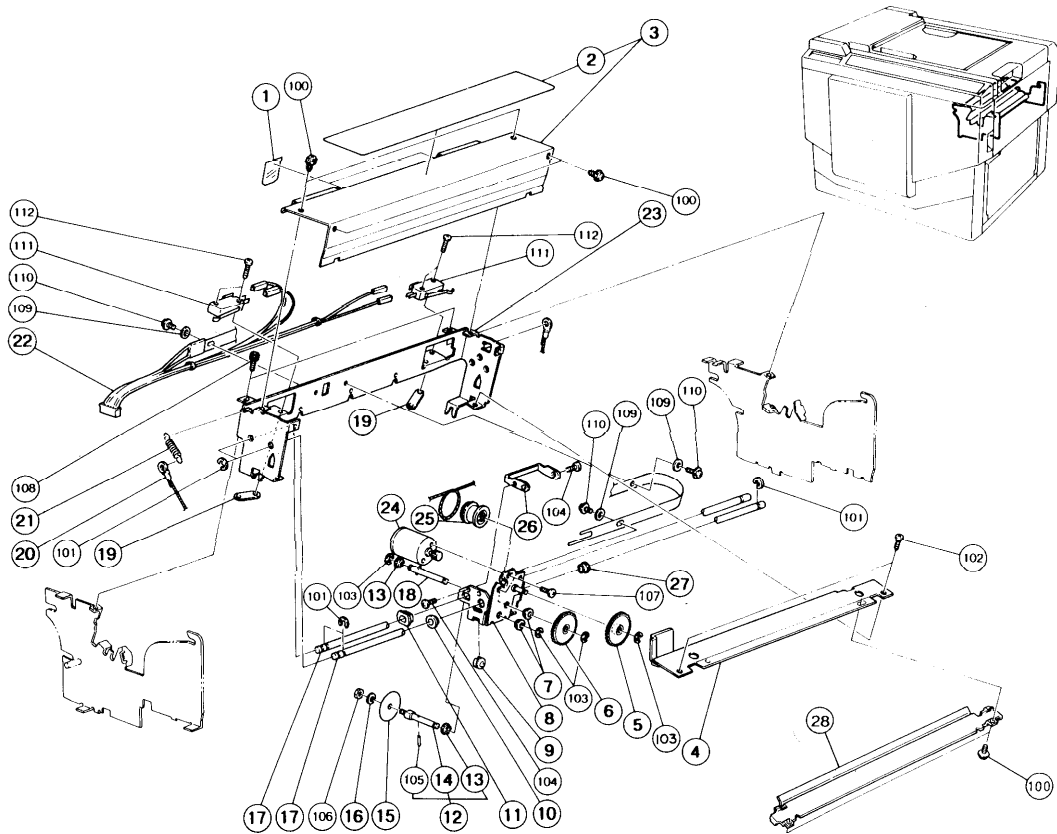


24. PLOTTER/MASTER FEED SECTION I (C212/C213)

February 28, '91

Index No.	Part No.	Description	Qty Per Assembly
1	C207 4030	Guide Plate - Thermal Head	1
2	C213 8100	Thermal Head	1
3	C213 4029	Thermal Head Spacer	1
4	C213 4005	Right Side Plate - Plotter	1
5	C200 4406	Front Right Cover - Plotter	1
6	C200 4407	Rear Right Cover - Plotter	1
7	C213 6075	Thermal Head Drive Harness	1
8	C213 4071	Connector Bracket - LT	2
8	C213 4071	Connector Bracket - A4	2
9	C213 8076	Thermal Head Harness	1
10	C2004115	Sensor Shaft	1
11	C2004116	Sensor Spring	1
12	C2004114	Sensor Bracket	1
13	52035230	Master Sensor	1
14	C203 4013	Brake Plate	2
15	C203 4035	Receiving Stand - Master Roller	1
16	50540536	Magnet Catch Ass'y	1
17	C207 2521	Lower Pad	1
18	C203 4080	Plotter Lower Cover	1
19	C207 2522	Rear Pad	1
20	C203 8081	Plotter Unit Harness	1
21	C203 4031	Fixing Plate	1
22	C207 8079	Flat Cable - Plotter - LT	1
22	C213 6079	Flat Cable - Plotter - A4	1
23	C200 4404	Cutter Connector Bracket	1
24	C213 4001	Left Side Plate - Plotter	1
25	C200 4405	Rear Left Cover - Plotter	1
26	C213 8028	Thermal Head Drive Board	1
27	C203 4032	Insulating Sheet - Thermal Head	1
28	C2004138	Thermal Head Spring	2
29	C213 4023	Thermal Head Base	1
30	C203 8078	Flat Cable - Thermal Head -30	1
31	C203 8077	Flat Cable - Thermal Head -20	1

Index No.	Part No.	Description	Qty Per Assembly
32	C200 4014	Plotter Stay	1
33	C213 4040	Master Holder	2
34	C203 4033	Shoulder Screw - M3	2
35	C207 4011	Master Flange Decal	2
36	C2004126	Lever Shaft	1
37	C203 4051	Platen Release Lever	1
38	C207 8080	Flat Cable - Thermal Head	1
39	C207 4015	Thermal Head Cover	1
40	C207 8316	Grounding Wire - A4	1
41	C203 2749	Decal - Thermal Head Cleaning	1
42	C213 4041	Master Flange	2
101	03130060Z	Philips Pan Head Screw - M3x6	
102	0951 3006Z	Philips Screw With Flat Washer - M3	
103	03140080Z	Philips Screw - 4x8	
104	0964 4008Z	Tapping Screw W/Washer - M4x8	
105	0951 4005Z	Philips Screw With Flat Washer - M4x5	
106	0434 0080Z	Tapping Screw - M4x8	
107	0323 0100Z	Philips Sunken Head Screw - M3x10	
108	0951 3008Z	Philips Screw With Flat Washer - M3	
109	0434 0080Z	Tapping Screw - M4x8	
110	0720 0030Z	Retaining Ring - M3	
111	0720 0060Z	Retaining Ring - M6	
112	03140060Z	Philips Pan Head Screw - M4x6	
113	0720 0040Z	Retaining Ring - M4	

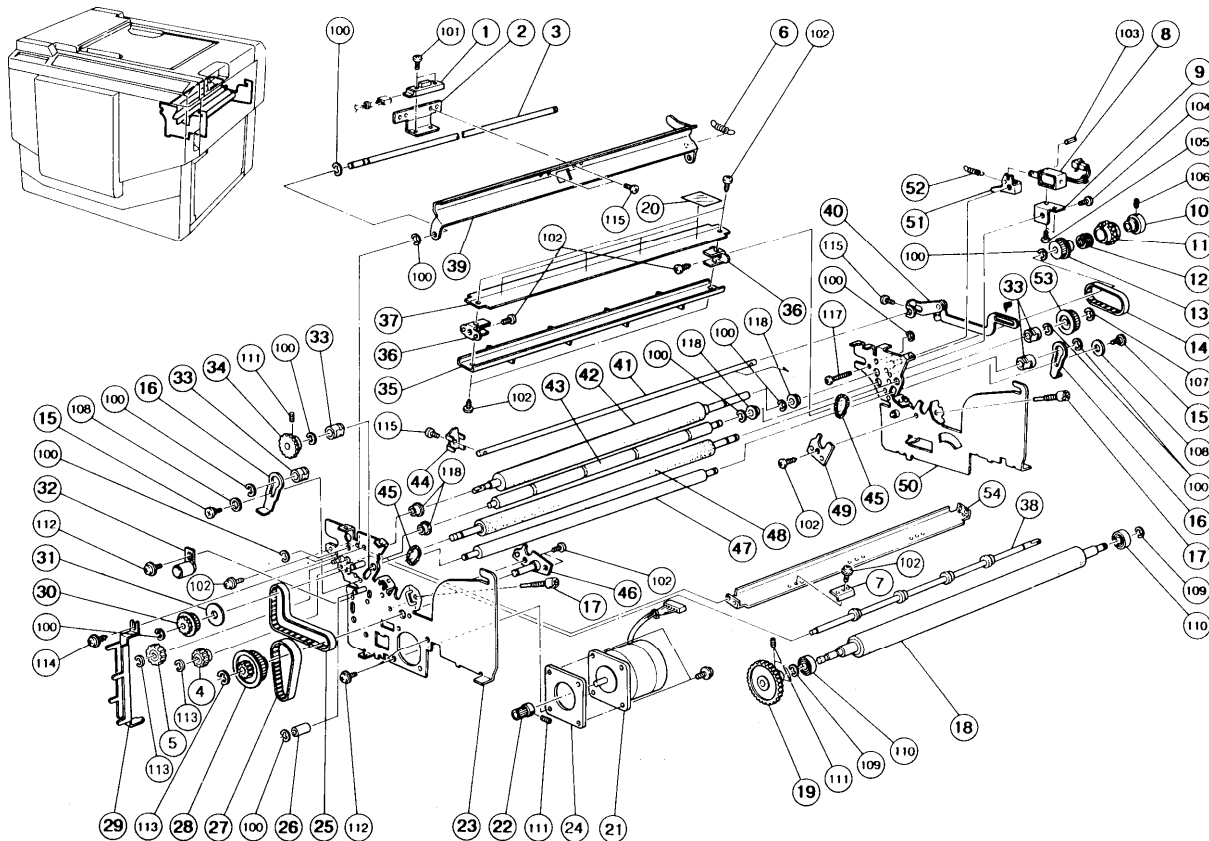


25. PLOTTER/MASTER FEED SECTION II (C212/C213)

February 28, '91

Index No.	Part No.	Description	Q'ty Per Assembly
1	C200 4248	Upper Mylar - Guide Plate	2
2	C203 2709	Decal - Master Setting	1
3	C203 4096	Cutter Unit Cover	1
4	C213 4088	Cutter Plate	1
5	C200 4371	Coupled Gear - 16T & 64T	1
6	C200 4372	Gear - 64T	1
7	C200 4376	Bushing - M4	2
8	C200 4351	Cutter Slider	1
9	C200 4373	Gear - 16T	1
10	C200 4354	Bushing - M6	1
11	C200 4355	Bushing - M8x6	1
12	C200 4392	Cutter Shaft	1
13	C200 4376	Bushing - M4	1
14	C200 4375	Cutter Shaft	1
15	C200 4377	Cutter	1
16	C201 4070	Cutter Spacer - 5.2x10x1 mm	1
17	C201 4056	Cutter Guide Shaft	2
18	C200 4391	Pulley Shaft	1
19	50560509	Nut Plate - Microswitch	2
20	C200 4318	Cutter Drive Wire	1
21	55016538	Spring - Middle Roller	1
22	C201 8091	Cutter Unit Harness	1
23	C201 4049	Cutter Plate	1
24	C200 8415	Motor - DC22W	1
25	C200 4379	Pulley - 36T	1
26	C200 4356	Slider Supporter	1
27	C200 4354	Bushing - M6	1
28	C213 4030	Lower Guide Plate	1

Index No.	Part No	Description	Q'ty Per Assembly
100	0964 3008Z	Tapping Screw W/Flat Washer - M3x8	
101	0720 0040Z	Retaining Ring - M4	
102	0433 0080Z	Tapping Screw - M3x8	
103	0720 0030Z	Retaining Ring - M3	
104	03130040Z	Philips Pan Head Screw - M3x4	
105	0621 6080E	Spring Pin - 1.6x8	
106	0710 0040Z	Hex Nut 4	
107	03130050Z	Philips Screw - 3x5	
108	0594 0060E	Socket Screw - 4x6	
109	08072019	Washer - 3.2x10x0.8mm	
110	0951 3005Z	Philips Pan Head Screw - M3 x 5	
111	12040825	Micro Switch - AH71 543	
112	03130140Z	Philips Pan Head Screw - M3x14	



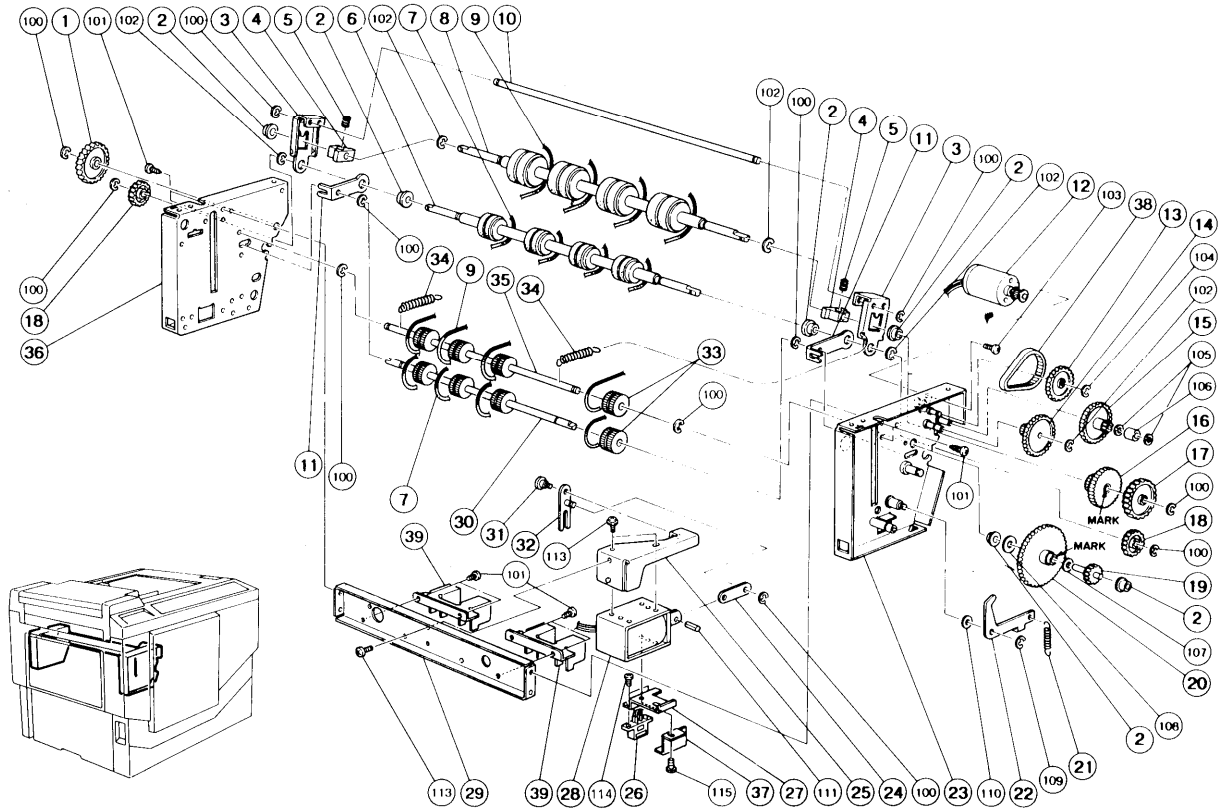
26. PLOTTER/MASTER FEED SECTION III (C212/C213)

February 28, '91

Index No.	Part No.	Description	Q'ty Per Assembly
1	C203 8137	Master Sensor	1
2	C203 4092	Sensor Bracket	1
3	C201 4041	Master Guide Shaft	1
4	C209 4305	Gear - 16Z	1
5*	C2094303	Gear -27Z	1
6	55064628	Spring - Delivery Roller	1
7	C209 4307	Reverse Guide Plate	3
8	C200 8440	Reverse Roller Solenoid	1
9	C200 4223	Reverse Solenoid Bracket	1
10	C200 4216	Reverse Roller Clutch Barrel	1
11	C200 4217	Reverse Roller Clutch Sleeve	1
12	C200 4215	Reverse Roller Clutch Spring	1
13	C200 4213	Pulley - 28T	1
14	C200 4218	Timing Belt - MM -75-4.8- G	1
15	54032075	Stepped Screw	2
16	C203 4060	Tension Release Slider	2
17	C2074150	Fixing Screw	2
18	C213 4052	Platen Roller	1
19	C2004143	Gear - 40T	1
20	C203 4038	Master Guide - Large	4
21	C203 8121	Motor - DC 2.25W	1
22	C203 4043	Pulley - 17Z	1
23	C213 4001	Left Side Plate - Plotter	1
24	C203 4047	Motor Spacer	1
25	C2004169	Timing Belt - MM190X6.4	1
26	C200 4171	Spacer - 6x8x1 4mm	1
27	C203 4044	Timing Belt - 87XL	1
28	C2004163	Pulley - 16T	1
29	C203 4072	Harness Bracket	1
30	C2004164	Pulley - 34T	1
31	C2004170	Spacer - 9.4x23.4x2.9	1
32	C203 3044	Tension Roller	1
33	50560188	Bushing - 6mm - Long	4
34	C200 4165	Gear - 22T	1

Index No.	Part No.	Description	Q'ty Per Assembly
35	C213 4232	Reverse Guide	1
36	C201 4038	Bracket - Guide Pawl	2
37	C215 4043	Guide Plate - Master Buckle	1
38	C213 4300	Counter Roller Shaft	1
39	C200 4244	Master Guide	1
40	C203 4054	Tension Release Arm	1
41	C203 4059	Tension Release Shaft	1
42	C213 4046	Upper Reverse Roller	1
43	C213 4045	Lower Reverse Roller	1
44	C2004196	Tension Release Arm - Small	1
45	C2004184	Tension Spring	2
46	C201 4024	Pulley Plate	1
47	C2004182	Lower Master Feed Roller	1
48	C2074181	Upper Master Feed Roller	1
49	C201 4026	Positioning Plate	1
50	C213 4005	Right Side Plate - Plotter	1
51	C201 4068	Reverse Roller ClutchPawl	1
52	56073616	Guide Plate Spring	1
53	C2004183	Pulley - 28T	1
54	C213 4306	Stay - Reverse Guide	1
55	C200 2338		1
56	53241658		1
57	H0022226		1
58	H0121181		2



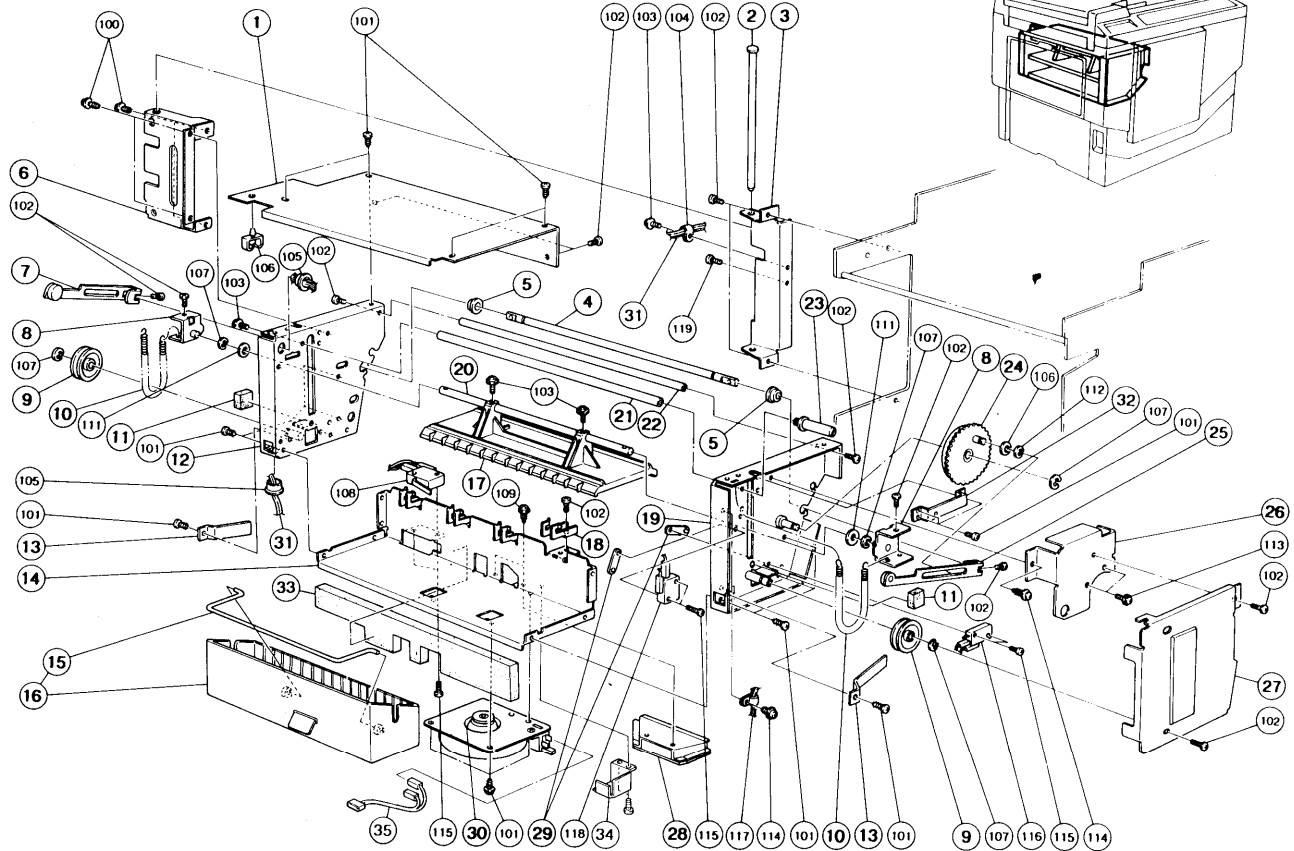


27. MASTER EJECT SECTION I (C212/C213)

February 28, '91

Index No.	Part No.	Description	Q'ty Per Assembly
1	C200 3627	Gear - 30T	1
2	55064608	Bushing - Paper Hold/Down Roller -	6
3	C200 3535	Supporter	2
4	C200 3536	Separation Arm Bushing	2
5	C2013527	Pressure Spring	2
6	C200 3542	1st Lower Eject Roller	1
7	C219 3546	Lower Belt	4
8	C200 3539	1st Upper Eject Roller	1
9	C219 3545	Upper Belt	4
10	C200 3537	Arm Connect Shaft	1
11	C200 3529	Pulley Plate	2
12	C207 8221	Motor - DC25.8W	1
13	C207 3604	Pulley - 40Z	1
14	C200 3609	Coupled Gear - 58T & 20T	1
15	C200 3606	Coupled Gear - 62T & 20T	1
16	C200 3607	Coupled Gear - 62T & 32T	1
17	C200 3627	Gear - 30T	1
18	C200 3628	Gear - 20T	2
19	C200 3614	Gear - 16T	1
20	C200 3610	Gear - 116T	1
21	C200 3638	Lever Spring	1
22	C200 3636	Pressure Plate Lever	1
23	C207 3502	Front Side Plate - Master Eject	1
24	C200 3557	Solenoid Plate	1
25	C200 3553	Solenoid Bracket	1
26	C213 3560	Master Eject Sensor	1
27	C207 3559	Sensor Bracket	1
28	C200 8437	Master Eject Solenoid	1
29	C207 3523	Master Eject Stay	1
30	C201 3529	Lower Pulley Shaft	1
31	54032075	Stepped Screw	1
32	C200 3554	Solenoid Arm	1
33	C200 3547	Pulley	8
34	C203 3501	Tension Spring	2
35	C207 3530	Upper Pulley Shaft	1

Index No.	Part No.	Description	Q'ty Per Assembly
36	C207 3520	Rear Side Plate - Master Eject	1
37	C207 3561	Sensor Cover	1
38	C207 3612	Timing Bolt - B30S2M126	1
39	C207 3532	Pulley Guide - Upper	2
100	07200040Z	Retaining Ring - M4	
101	04340060Z	Tapping Screw - M4x6	
102	07200050Z	Retaining Ring - M5	
103	03130030Z	Phillips Pan Head Screw - M3x3	
104	07200030Z	Retaining Ring - M3	
105	06074076	Washer - 8.2x6.1x0.3mm	
106	07076045B	Bushing - M6x45	
107	08074053	Spacer - 6.2mmx9.5mmx0.1 mm	
108	08074103	Spacer - 0.5mm	
109	07200060Z	Retaining Ring - M6	
110	08075013	Flat Washer - M8.4	
111	06230120E	Spring Pin - 3x12mm	
112	03130140Z	Phillips Pan Head Screw - M3x14	
113	09513006Z	Phillips Screw With Flat Washer - M3	
114	03130080Z	Phillips Screw - 3x8	
115	03140050Z	Phillips Pan Head Screw - M4x5	

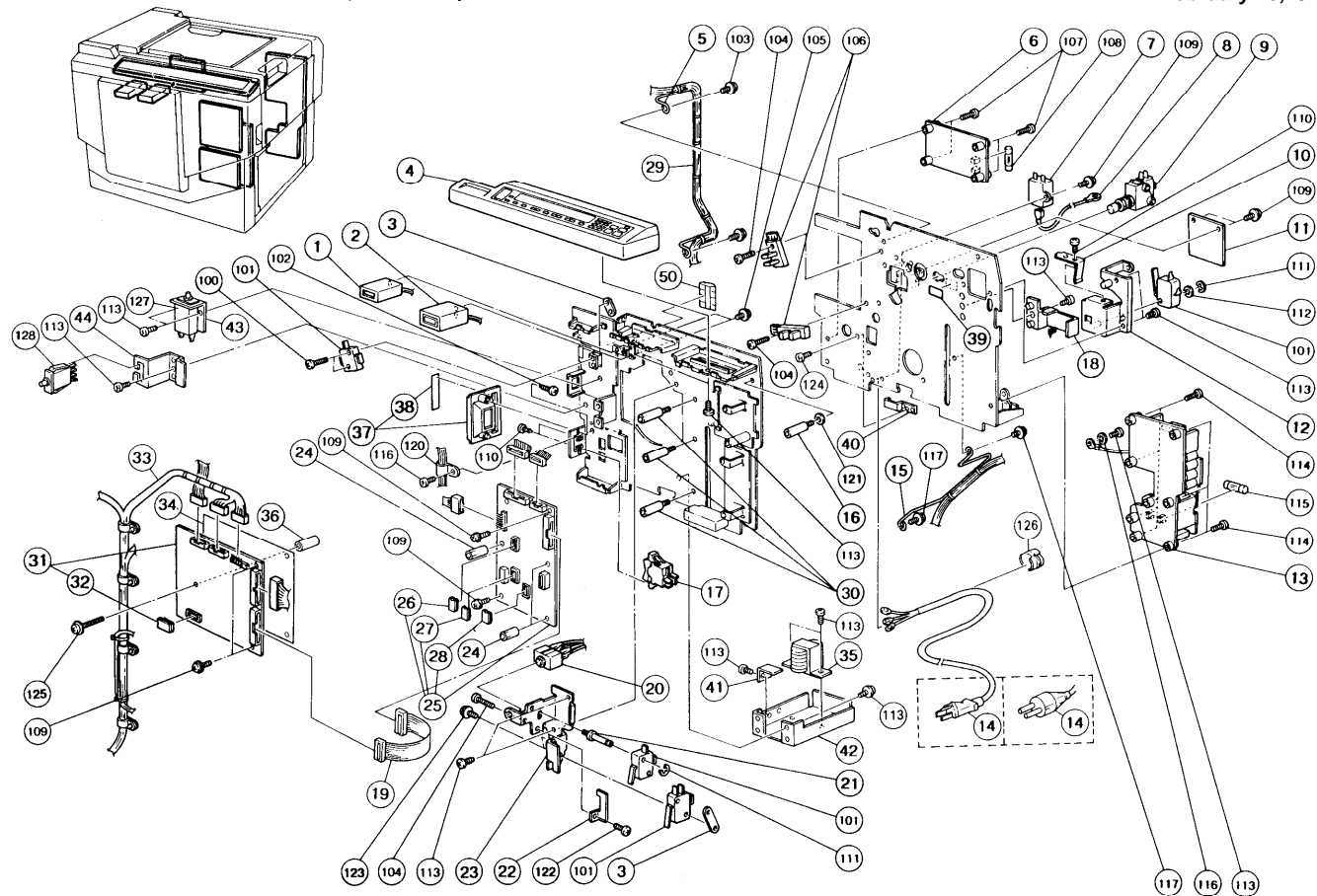


28. MASTER EJECT SECTION II (C212/C213)

February 28, '91

Index No.	Part No.	Description	Q'ty Per Assembly
1	C203 3526	Upper Inner Cover	1
2	C203 3504	Hinge Shaft	1
3	C203 3503	Master Eject Hinge	1
4	C201 3542	Pressure Arm Shaft	1
5	55016185	Bushing - Shaft - Water Adjusting	2
6	C213 3517	Master Eject Hinge	1
7	C201 3549	Rear Link	1
8	C201 3545	Pressure Arm	2
9	C200 3712	Pulley	2
10	55076766	Wire Spring	2
11	C207 3525	Rubber Seal - 14x18x25	2
12	C207 3520	Rear Side Plate - Master Eject	1
13	C200 3753	Guide	2
14	C203 3527	Bottom Plate - Master Eject	1
15	C203 3511	Arm - Master Eject Box	1
16	C203 3505	Master Eject Box	1
17	C200 3708	Pressure Plate	1
18	C207 3531	Pulley Guide	4
19	C207 3502	Front Side Plate - Master Eject	1
20	C201 3544	Pressure Plate Shaft	1
21	C203 3516	Master Eject Stay - Large	1
22	C200 3508	Master Eject Stay - Small	1
23	C203 3517	Lock Stud	1
24	C200 3618	Gear - 60T	1
25	C201 3548	Front Link	1
26	C200 3631	Bracket	1
27	C200 3519	Front Inner Cover	1
28	C201 6015	Air Knif Nozzle	1
29	50560509	Nut Plate - Microswitch	2
30	C200 8408	Motor - AC15W	1
31	C213 8482	Master Eject Harness	1
32	C203 3518	Lock Stay Bracket	1
33	C207 2523	Master Eject Pad	1
34	C203 3531	Capacitor Connector Cover	1
35	C213 8483	Harness Air Knife	1

Index No.	Part No.	Description	Q'ty Per Assembly
100	0964 4010Z	Tapping Screw W/Washer - M4x10	
101	0434 0060Z	Tapping Screw - M4x6	
102	03140080Z	Philips Screw - 4x8	
103	0951 4008Z	Philips Screw With Flat Washer M4 x	
104	11050009	Nylon Clip - 5N	
105	11060411	Bushing -11.5mm	
106	03140080Z	Philips Screw - 4x8	
107	0720 0060Z	Retaining Ring - M6	
108	12041490	Micro Switch - V-53-1A3	
109	0964 3008Z	Tapping Screw W/Flat Washer - M3x8	
110	0701 0050Z	Flat Washer - M5	
111	0700 0080Z	Flat Washer - M8	
112	0720 0050Z	Retaining Ring - M5	
113	0951 3004Z	Philips Screw With Flat Washer - M3x4	
114	03140080Z	Philips Screw - 4x8	
115	0313 0140Z	Philips Pan Head Screw - M3x14	
116	12040886	Micro Switch	
117	11050008	Nylon Clip - 2N	
118	12041438	Microswitch	



29. ELECTRICAL SECTION (C212/C213)

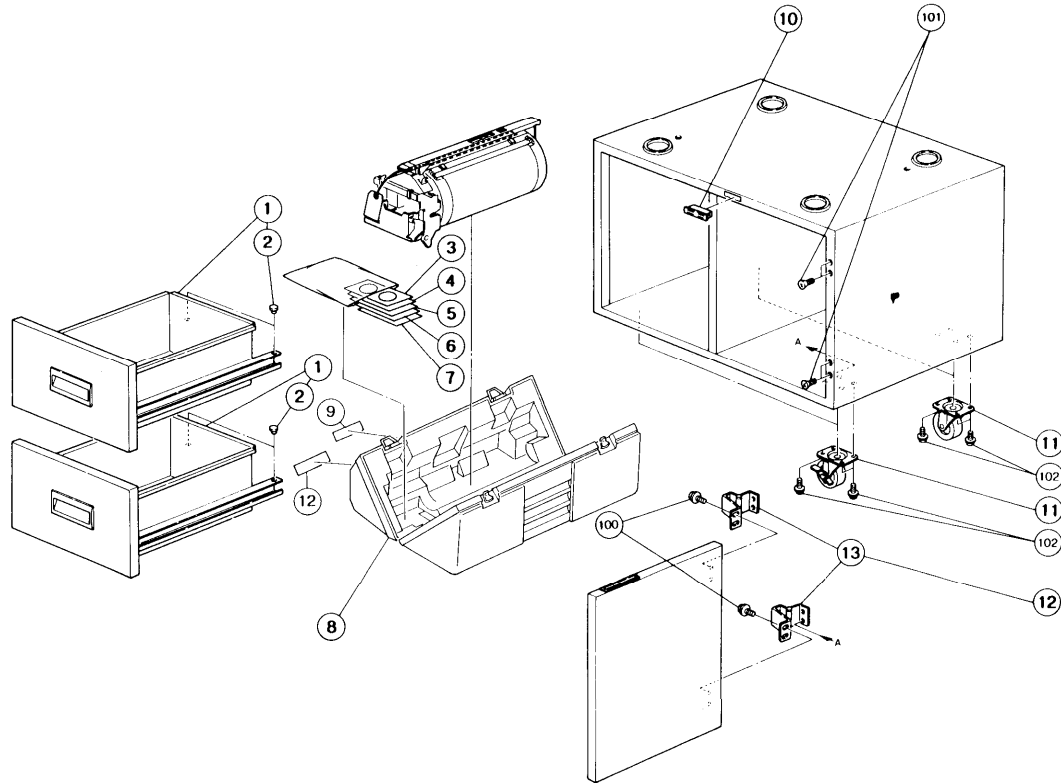
February 28, '91

02138275 IC...

Index No.	Part No.	Description	Q'ty Per Assembly
1	C200 8443	Master Counter	1
2	C200 8446	Copy Counter	1
3	50560509	Nut Plate - Microswitch	1
4	C207 2710	Operation Panel - LT (VT2500)	1
4	C213 2720	Operation Panel - A4 (VT2500) <i>ok</i>	1
4	C212 2710	Operation Panel - LT (VT2300) <i>C2082710</i>	1
4	C2122720	Operation Panel - A4 (VT2300)	1
5	C203 8095	Upper Harness Supporter	1
6	C201 8055	AC Drive Board - A4	1
6	C201 8057	AC Drive Board - LT	1
7	C203 8135	Noise Filter - LT	1
7	C203 8136	Noise Filter - 220V - A4	1
8	C202 8095	Grounding Harness	1
9	C203 8115	Micro Switch	1
10	C2003123	Support Plate - Safety Switch	1
11	C2008116	Ink Detecting Board	1
12	C2032112	Safety Switch Bracket	1
13	C213 8302	Power Supply Unit	1
14	C201 8163	Power Supply Cord - 220V	1
14	C203 8124	Power Supply Cord - 110V/120V	1
15	C203 8096	Lower Harness Supporter	1
16	C203 2030	Board Stud	1
17	C209 8276	Main Switch - 20A 250V	1
18	C203 2114	Bracket	1
19	C207 8088	Flat Cable - Main Control	1
20	C203 8116	Push Switch	1
21	C200 3756	Safety Switch Shaft	1
22	C200 3755	Plate Spring	1
23	C203 2047	Push Switch Bracket	1
24	C202 2415	Board Stud - LT	1
24	C2032150	Board Stud - A4	1
25	C213 8002	Image Processing Board - A4	1
25	C213 8033	Image Processing Board - LT	1
26	C213 8004	IC -432	1
27	C213 8021	IC - HN2718AP-20 -IC444	1

Index No.	Part No.	Description	Q'ty Per Assembly
28	C207 8076	IC - HN2718AP-20 -IC443	1
29	C203 8176	AC Harness - A4	1
29	C213 8187	AC Drive Harness - LT	1
30	C200 2596	Main Board Stud - Long	3
31	C211 8112	Main Board - UL	1
31	C213 8113	Main Board - Europe, Taiwan	1
32	C213 8045	IC - PD27C256AD -20	1
33	C213 8173	Main Harness	1
34	C2072148	Insulating Sheet - Main Board	1
35	C216 8155	Transformer - 235V/105V	1
35	C201 8158	Transformer - 110V/105V (Taiwan)	1
35	C2038181	Transformer - 120V/1 00V	1
36	C203 2031	Main Board Spacer	1
37	C213 2430	Main Switch Cover	1
38	C209 2502	Decal - Main Switch	1
39	C203 2759	Master Cutter Decal	1
40	C203 2128	Ac Drive Board Cover	1
41	C203 2131	Transformer Cover	1
42	C203 2018	Transformer Bracket <i>→ C2162059</i>	1
43	C203 2058	Circuit Breaker Bracket <i>→ C2162018</i>	1
44	C203 2057	Switch Bracket	1
31	C213 8112	Main Board - UL 120V	1





30. TABLE/DRUM BOX (C212/C213)

February 28, '91

Index No.	Part No.	Description	Q'ty Per Assembly
1	C200 9101	Drawer	2
2	C2009102	Table Stud	2
3	C5262150	Drum Decal - Black	1
4	C5262151	Drum Decal - Red	1
5	C5262152	Drum Decal - Blue	1
6	C5262153	Drum Decal - Green	1
7	C5262154	Drum Decal - Brown	1
8	C5262113	Option Drum Case	1
9	C534 2131	Decal - A4	1
9	C5332101	Decal - B4	1
9	C5352131	Decal - LT	1
10	C2009105	Magnet Catch	1
11	C2009107	Caster	4
12	C5262110	Decal - Drum Case	1
13	C2009104	Hinge	1

Index No.	Part No.	Description	Q'ty Per Assembly
100	05840100Z	Hexagon Bolt - M4x10	
101	03240100Z	Sunk Screw - 4x10	
102	0588 0120Z	Hexagon Bolt - M8x12	

CAPACITOR

SYMBOL NO.	INDEX NO.	SYMBOL NO.	INDEX NO.	SYMBOL NO.	INDEX NO.	SYMBOL NO.	INDEX NO.	SYMBOL NO.	INDEX NO.	SYMBOL NO.	INDEX NO.	SYMBOL NO.	INDEX NO.
C102	163	C112	158	C122	161	C132	161	C142	161	C152	157	CN101	104
C103	162	C113	158	C123	161	C133	159	C143	161	C153	161	CN102	102
C104	157	C114	165	C124	161	C134	159	C144	161	C154	161	CN103	103
C105	164	C115	165	C125	161	C135	159	C145	161	C155	160	CN104	105
C106	166	C116	165	C126	161	C136	159	C146	161	C156	160	CN105	101
C107	166	C117	165	C127	161	C137	161	C147	161	C157	160		
C108	164	C118	161	C128	161	C138	161	C148	161	C158	160		
C109	163	C119	161	C129	161	C139	161	C149	161	C159	160		
C110	158	C120	161	C130	161	C140	161	C150	166	C160	161		
C111	158	C121	161	C131	161	C141	161	C151	161				

CONNECT JR

DAY

SYMBOL NO.	INDEX NO.	SYMBOL NO.	INDEX NO.
DAY101	120	D101	123
DAY102	120	D102	123
DAY103	120	D103	123
DAY104	120	D104	121
DAY105	120	D105	121
DAY106	120	D106	121
DAY107	120	D107	121
DAY108	120	D108	121
		D109	121
		D110	121

DIODE

DPS

SYMBOL NO.	INDEX NO.	SYMBOL NO.	INDEX NO.
D111	121	DPS101	111
D112	121	DPS102	112
D113	121		
D114	121		

FUSE

SYMBOL NO.	INDEX NO.
F101 (Socket)	109
F102 (Socket)	108
	110
	108

IC

SYMBOL NO.	INDEX NO.	SYMBOL NO.	INDEX NO.
IC101	127	IC111	137
IC102	131	IC112	143
IC103	142	IC113	133
IC104	130	IC114	141
IC105	126	IC115	134
IC106	128		
IC107	126	IC116	134
IC108	131	IC117	132
IC109	132	IC118	129
IC110	1	IC119	135
Socket	107	IC120	144

IC

SYMBOL NO.	INDEX NO.
IC121	144
IC122	136
IC123	136
IC124	136
IC125	145
IC126	138
IC127	140
IC128	145
IC129	131
IC130	106

COIL

SYMBOL NO.	INDEX NO.
IC131	139

SYMBOL NO.	INDEX NO.
L101	167

ED

SYMBOL NO.	INDEX NO.
LED101	124
LED102	124
LED103	124
LED104	124
LED105	124
LED106	124

OSC

SYMBOL NO.	INDEX NO.
OSC101	146

PHOTO SENSOR

SYMBOL NO.	INDEX NO.
PC101	125

TRANSISTOR

SYMBOL NO.	INDEX NO.
Q101	114
Q102	117
Q103	114
Q104	113
Q105	116
Q106	115
Q107	115
Q108	115

RERAY

SYMBOL NO.	INDEX NO.
RAY101	150
RAY102	150
RAY103	150
RAY104	152
RAY105	149
RAY106	153
RAY107	153
RAY108	152
RAY109	151
RAY110	154

RESISTOR

SYMBOL NO.	INDEX NO.
RAY111	151
RAY112	151
RAY113	151
RAY114	148

SYMBOL NO.	INDEX NO.
R101	147
R102	147
R103	147
R104	147
R105	147
R106	147
R107	147
R108	147
R109	197
R110	212

SYMBOL NO.	INDEX NO.
R111	209
R112	210
R113	211
R114	211
R115	211
R116	211
R117	211
R118	211
R119	211
R120	211

SYMBOL NO.	INDEX NO.
R121	195
R122	195
R123	195
R124	195
R125	208
R126	208
R127	211
R128	211
R129	190
R130	198

SYMBOL NO.	INDEX NO.
R131	190
R132	202
R133	204
R134	198
R135	169
R136	185
R137	169
R138	200
R139	195
R140	188

SYMBOL NO.	INDEX NO.
R141	188
R142	168
R143	202
R144	202
R145	188
R146	188
R147	188
R148	177
R149	206
R150	188

SYMBOL NO.	INDEX NO.
R151	188
R152	202
R153	202
R154	188
R155	175
R156	188
R157	188
R158	177
R159	206
R160	193

RESISTOR

SYMBOL NO.	INDEX NO.
R161	184
R162	184
R163	193
R164	177
R165	181
R166	181
R167	206
R168	181
R169	181
R170	206

SYMBOL NO.	INDEX NO.
R171	193
R172	184
R173	184
R174	193
R175	177
R176	171
R177	198
R178	196
R179	196
R180	196

SYMBOL NO.	INDEX NO.
R181	172
R182	179
R183	194
R184	182
R185	203
R186	171
R187	169
R188	181
R189	183
R190	187

SYMBOL NO.	INDEX NO.
R191	186
R192	181
R193	181
R194	181
R195	203
R196	192
R197	195
R198	201
R199	174
R200	172

SYMBOL NO.	INDEX NO.
R201	168
R202	173
R203	199
R204	179
R205	205
R206	176
R207	170
R208	197
R209	197
R210	178

SYMBOL NO.	INDEX NO.
R211	197
R212	197
R213	197
R214	197
R215	169
R216	188
R217	191
R218	193
R219	207
R220	180

SYMBOL NO.	INDEX NO.
R221	169
R222	181
R223	196
R224	204
R225	168
R226	168
R227	189
R228	185
R229	199
R230	181

TAY

SYMBOL NO.	INDEX NO.
R231	198
R232	197

SYMBOL NO.	INDEX NO.
TAY101	118
TAY102	118
TAY103	119

VR

SYMBOL NO.	INDEX NO.
VR101	155
VR102	156
VR103	156
VR104	156
VR105	156

ZENER DIODE

SYMBOL NO.	INDEX NO.
ZD101	122

31. MAIN BOARD (C212/C213)

February 28, '91

Index No.	Part No.	Description	Q'ty Per Assembly
*	C211 8112	Main Board - LT	1
*	C213 8113	Main Board - A4	1
1	C213 8045	IC - uPD27C256AD -20	1
102	11024327	Connector - 60P	
103	11024970	Connector - 50P	
104	11030740	Connector - 6P	
105	11031296	Connector - 50P	
106	11031523	Connector - 40P	
107	11040342	IC Socket - 28P	



Index No.	Part No.	Description	Q'ty Per Assembly
108	11040564	Fuse Socket	
109	11070585	Fuse - 50A 125V	
110	11070685	Fuse - 50A 125V	
111	12041324	DIP Switch	
112	12041327	DIP Switch	
113	14000100	Transistor - 2SA683	
114	14000282	Transistor - 2SC2308	
115	14000368	Transistor - 2SC3325	
116	14000431	Transistor - 2SC3615	
117	14010401	Transistor - 2SD1194	
118	14010342	Transistor Array - STA421A	
119	14010400	Transistor Array - SLA4060	
120	14010807	Diode Array	
121	14010835	Diode - 1SS190	
122	14020979	Diode - 16V 500MW	
123	14020110	Diode - V06C	
124	14030558	LED - SEL2110RTP3	
125	14030238	IC - TLP521	
126	14010876	Transistor - PA2003GR	
127	14010877	Transistor - TD62063F	
128	14071151	IC - D-8085AC-2	
129	14073701	IC - TMP82C79M-2	
130	14071882	IC - SN74LS373NS	
131	14072057	IC - 82 C55AFP-5	
132	14072077	IC - SN74LS138NS	
133	14072089	IC - TC4024BF	
134	14072187	IC - SN74LS07NS	
135	14072218	IC - SN74LS06NS	
136	14072273	IC - TA8050P	
137	14072348	IC - TC4051BF	
138	14072404	IC - M5M81C55FP	
139	14071741	IC - SN74LS32NS	
140	14080454	IC - μ PC358G	
141	14080471	IC - TCA955	
142	14080494	IC - MB3771P	



Index No.	Part No.	Description	Q'ty Per Assembly
143	14080595	IC - NJM2904M	
144	14080606	IC - PC339G	
145	14080790	IC - PC324G	
146	15030333	Ceramic Oscillator - 6.0MG	
147	16001095	Resistor - 120Ω 1/8W ±5%	
148	18017287	Resistor Array - 22k Ω 1/8W + 5%	
149	16017367	Resistor Array -330Ω	
150	18017374	Resistor Array - 4.7K Ω	
151	16017376	Resistor Array - 10k Ω ±5% 1 /8W	
152	16017377	Resistor Array - 15k Ω ±5% 1/8W	
153	16017404	Resistor Array - 10k Ω 1 /2W	
154	16017566	Resistor Array - 22k Ω ±5% 1/8W	
155	16018145	Variable Resistor - 5kΩ	
156	16018157	Variable Resistor - 100kΩ	
157	16041382	Capacitor - 10μF 50V	
158	16041386	Capacitor - 100μF 50V	
159	16050226	Capacitor - 1000pF 50V	
160	16050234	Capacitor - 220pF 50V	
161	16061452	Capacitor - 0.01μF 50V	
162	16061638	Capacitor - 0.22μF 50V	
163	16061832	Capacitor - 0.01 5μF 25V ±5%	
164	16061833	Capacitor - 0.022μF 25V ±5%	
165	16061834	Capacitor - 0.033μF 25V ±5%	
166	18061835	Capacitor - 0.1μF 25V ±5%	
167	16070001	Coil - SN-8S-500	
168	16302102	Resistor -1KΩ	
169	16302103	Resistor -10KΩ	
170	16302104	Resistor -100KΩ	
171	16302113	Resistor -11KΩ	
172	16302122	Resistor - 1.2KΩ	
173	16302123	Resistor - 12KΩ	
174	16302124	Resistor - 120KΩ	
175	16302132	Resistor - 113KΩ	
176	18302133	Resistor - 13KΩ	
177	16302151	Resistor - 150Ω	

Index No.	Part No.	Description	Q'ty Per Assembly
178	16302152	Resistor - 1.5KΩ	
179	16302203	Resistor - 20KΩ	
180	16302221	Resistor - 220Ω	
181	16302223	Resistor - 22KΩ	
182	16302241	Resistor - 240Ω	
183	16302242	Resistor - 2.4KΩ	
184	16302243	Resistor - 24KΩ	
185	16302244	Resistor - 240KΩ	
186	16302302	Resistor - 3KΩ	
187	16302330	Resistor - 33Ω	
188	16302332	Resistor - 3.3Ω	
189	16302333	Resistor - 33KΩ	
190	16302334	Resistor - 330KΩ	
191	16302361	Resistor - 360Ω	
192	16302362	Resistor - 3.6KΩ	
193	16302392	Resistor - 3.9KΩ	
194	16302393	Resistor - 39KΩ	
195	16302432	Resistor - 4.3KΩ	
196	16302471	Resistor - 470Ω	
197	16302472	Resistor - 4.7KΩ	
198	16302473	Resistor - 47KΩ	
199	16302513	Resistor -51KΩ	
200	16302514	Resistor -51 0KΩ	
201	16302562	Resistor - 5.6KΩ	
202	16302683	Resistor - 68KΩ	
203	16302752	Resistor - 7.5KΩ	
204	16302822	Resistor - 8.2KΩ	
205	16302823	Resistor - 82KΩ	
206	16302824	Resistor - 820KΩ	
207	16302912	Resistor -9.1 KΩ	
208	16116151	Resistor - 150s2 1/2W	
209	16116102	Resistor -1 k Ω 1/2T +5%	
210	16116222	Resistor - 2.2K Ω 1 /2T ±5%	
211	16116331	Resistor -330 Ω 1 /2T	
212	16116361	Resistor -360Ω 1 /8T±5%	

32. IMAGE PROCESSING BOARD (C212/213)

February 28, '91

SYMBOL NO.	INDEX NO.	SYMBOL NO.	INDEX NO.	SYMBOL NO.	INDEX NO.	SYMBOL NO.	INDEX NO.	SYMBOL NO.	INDEX NO.	SYMBOL NO.	INDEX NO.	SYMBOL NO.	INDEX NO.
C401	141	C411	146	C421	146	C431	146	C441	146	C451	144	C461	146
C402	147	C412	146	C422	146	C432	146	C442	146	C452	144	C462	146
C403	143	C413	146	C423	146	C433	146	C443	146	C453	146	C463	146
C404	145	C414	146	C424	146	C434	146	C444	146	C454	146	C464	146
C405	145	C415	146	C425	146	C435	146	C445	146	C455	146	C465	146
C406	141	C416	146	C426	146	C436	146	C446	146	C456	146	C466	146
C407	142	C417	146	C427	146	C437	146	C447	146	C457	146	C467	146
C408	146	C418	146	C428	146	C438	146	C448	146	C458	146	C468	146
C409	146	C419	146	C429	146	C439	146	C449	146	C459	146	C469	148
C410	146	C420	146	C430	146	C440	146	C450	146	C460	146	C470	148

SYMBOL NO.	INDEX NO.	SYMBOL NO.	INDEX NO.	SYMBOL NO.	INDEX NO.	SYMBOL NO.	INDEX NO.	SYMBOL NO.	INDEX NO.	SYMBOL NO.	INDEX NO.	SYMBOL NO.	INDEX NO.
C471	146	C481	146	C491	147	CN401	136	IC401	105	IC411	1	IC420	126
C472	146	C482	146			CN402	133	IC402	105	IC412	113	IC421	116
C473	146	C483	146	C493	149	CN403	137	IC403	105	IC413	105	IC422	125
C474	146	C484	146	C494	146	CN404	135	IC404	117	IC414	6	IC423	125
C475	146	C485	146	C495	146	CN405	134	IC405	105	(Socket)	129	IC424	107
C476	145	C486	146					IC406	117	IC415	106	IC425	121
C477	145	C487	147					IC407	105	IC416	113	IC426	102
C478	145	C488	149					IC408	105	IC417	105	IC427	116
C479	146	C489	147					IC409	119	IC418	124	IC428	108
C480	146							IC410	2	IC419	109	IC429	125

SYMBOL NO.	INDEX NO.
DPS400	138

SYMBOL NO.	INDEX NO.	SYMBOL NO.	INDEX NO.	SYMBOL NO.	INDEX NO.	SYMBOL NO.	INDEX NO.	SYMBOL NO.	INDEX NO.	SYMBOL NO.	INDEX NO.	SYMBOL NO.	INDEX NO.
IC430	125	IC439	114	IC447	118	IC457	123	OSC401	140	R401	127	R411	127
IC431	112	IC440	118	IC448	102	IC458	103	OSC402	139	R402	127	R412	127
IC432	3	IC441	101	IC449	122	IC459	104			R403	127	R413	127
(Socket)	129	IC442	110	IC450	118	IC460	118			R404	152	R414	127
IC433	115	IC443	5	IC451	118	IC461	102			R405	159	R415	127
		(Socket)	129										
IC434	118	IC444	4	IC452	118	IC462	118	SYMBOL NO.	INDEX NO.	R406	152	R416	127
IC433	118	(Socket)	129	IC453	102	IC463	120	L400	150	R407	152	R417	127
IC436	101	IC445	102	IC454	118	IC464	106	L401	151	R408	152	R422	157
IC437	110	IC446	118	IC455	120	IC465	120	L402	151	R409	153	R423	127
IC438	114			IC456	111	IC466	101			R410	127	R424	127

SYMBOL NO.	INDEX NO.	SYMBOL NO.	INDEX NO.	SYMBOL NO.	INDEX NO.	SYMBOL NO.	INDEX NO.	SYMBOL NO.	INDEX NO.	SYMBOL NO.	INDEX NO.	SYMBOL NO.	INDEX NO.
R425	127	R435	127	R445	127	R455	159	R465	155	R475	152	R485	152
R426	127	R436	127	R446	127	R456	152	R466	128	R476	152	R486	152
R427	127	R437	127	R447	127	R457	152	R467	128	R477	152	R487	152
R428	127	R438	127	R448	127	R458	152	R468	128	R478	152	R488	152
R429	127	R439	153	R449	127	R459	152	R469	128	R479	152	R489	152
R430	127	R440	158	R450	127	R460	152	R470	128	R480	152	R490	152
R431	127	R441	127	R451	127	R461	159	R471	128	R481	152	R491	152
R432	127	R442	127	R452	127	R462	159	R472	159	R482	152	R492	152
R433	127	R443	156	R453	127	R463	159	R473	152	R483	152	R493	152
R434	127	R444	127	R454	127	R464	159	R474	152	R484	152		

32. IMAGE PROCESSING BOARD (C212/C213)

February 28, '91

Index No.	Part No.	Description	Q'ty Per Assembly
*	C213 8002	Image Processing Board - A4	1
*	C213 8033	Image Processing Board - LT	1
1	C213 8005	IC - μ PD65013GF - IC411	1
2	C213 8006	IC - μ PD65012GF - IC410	1
3	C213 8004	IC - 432	1
4	C213 8021	IC - HN2718AP-20 -IC444	1
5	C213 8025	IC - HN2718AP-20 -IC443	1
6	C213 8008	IC - 414	1
101	14071600	IC - SN74LS244NS	139
102	14071605	TTL - SN74LS157NS	140
103	14071740	IC - SN74LS27NS	141
104	14071741	IC - SN74LS32NS	142
105	14071746	IC - SN74LS240NS	143
106	14071880	IC - SN74LS04NS	144
107	14071882	IC - SN74LS373NS	145
108	14071957	IC - SN74LS283NS	146
109	14071984	IC - SH74LS123NS	147
110	14072010	IC - HM6264FP-1 O	148
111	14072051	IC - SN74LSOONS	149
112	14072052	IC - SN74LS74ANS	150
113	14072057	IC - 82C55AFP-5	151
114	14072058	IC - 82C54FP-6	152
115	14072077	IC - SN74LS138NS	153
116	14072081	IC - SN74LS08NS	154
117	14072247	IC - SN74LS164NS	155
118	14072249	IC - SN74LS174NS	156
119	14072323	IC - HM6268P-35	157
120	14072347	IC - SN74LS161 NS	158
121	14072510	IC - μ PD78C10G -36	159



Index No.	Part No.	Description	Q'ty Per Assembly
122	1407 2594	IC - SN74LS151NS	
123	1407 2725	IC - SN74LS51NS	
124	1407 2971	IC - HM62256LFP-12T	
125	1407 3595	IC - HM50256ZP-12	
126	1408 0408	IC - PST518A	
	1630 2510	Resistor - 51 Ω 1/8W	
128	1101 0328	Connector Pin Contact \rightarrow 7 U	
129	1104 0413	Connector - 28P DK	
133	1102 4327	Connector - 60P OK	
134	1102 4980	Connector - 20P OK	
135	1102 5009	Connector - 26P OK	
136	1103 0698	Connector - 9P OK	
137	1103 1296	Connector - 50P OK	
138	1204 1543	DIP Switch OK	
140	1503 0070	Ceramic Oscillator - 10MHz	
141	1503 0271	Oscillator - CSA6.90MT011	
142	1604 2081	Capacitor - 1 μ F 50V	
143	1604 2208	Capacitor - 10 μ F 50V	
144	1604 2209	Capacitor - 100 μ F 16V	
145	1605 0306	Capacitor - 27pF 50V	
146	1605 0491	Capacitor - 230pF 50V	
147	1606 1139	Capacitor - 0.01 μ F \pm 20%	
148	1606 1190	Capacitor - 150pF 50V	
149	1606 1455	Capacitor - 470pF 25V	
150	1606 1537	Capacitor - 1000pF 50V	
151	1607 0421	Coil - SP0615-220M2RO	
152	1607 0423	Coil - SBT-0210	
153	1630 2102	Resistor - 1K Ω 1/8W	
154	1630 2104	Resistor - 100K Ω 1/8W Index 154	
155	1630 2105	Resistor - 1M Ω 1/8W OK	
156	1630 2222	Resistor - 2.2K Ω 1/8W OK	
157	1630 2302	Resistor - 3K Ω 1/8W OK	
158	1630 2470	Resistor - 47 Ω 1/8W OK	
159	1630 2471	Resistor - 470 Ω 1/8W OK	
160	1630 2472	Resistor - 4.7K Ω 1/8W	

128

139

140

141

142

143

144

145

146

147

148

149

150

151

152

153

127

161 / 1303220

CAPACITOR

SYMBOL NO.	INDEX NO.	SYMBOL NO.	INDEX NO.	SYMBOL NO.	INDEX NO.	SYMBOL NO.	INDEX NO.	SYMBOL NO.	INDEX NO.	SYMBOL NO.	INDEX NO.	SYMBOL NO.	INDEX NO.
C600	159	C610	166	C620	166	C630	158	C640	166	C650	166	C660	166
C601	159	C611	166	C621	166	C631	158	C641	166	C651	158	C661	153
C602	166	C612	166	C622	166	C632	166	C642	158	C652	166	C662	166
C603	157	C613	158	C623	158	C633	166	C643	156	C653	166	C663	166
C604	166	C614	165	C624	166	C634	158	C644	158	C654	158	C664	166
C605	157	C615	166	C625	166	C635	158	C645	166	C655	15x	C665	166
C606	155	C616	166	C626	158	C636	166	C646	166	C656	164	C666	166
C607	158	C617	166	C627	166	C637	158	C647	157	C657	166	C667	153
C608	158	C618	166	C628	166	C638	166	C648	166	C658	158	C668	166
C609	166	C619	166	C629	166	C639	158	C649	166	C659	166	C669	207

SYMBOL NO.	INDEX NO.	SYMBOL NO.	INDEX NO.	SYMBOL NO.	INDEX NO.	SYMBOL NO.	INDEX NO.	SYMBOL NO.	INDEX NO.	SYMBOL NO.	INDEX NO.	SYMBOL NO.	INDEX NO.
C670	207	C680	153	C690	163	C700	166	C710	166	CN601	109	D600	119
C671	166	C681	166	C691	166	C701	166	C711	167	CN602	110	D601	119
C672	166	C682	168	C692	166	C702	166	C712	166	CN603	105	D602	119
C673	166	C683	207	C693	154	C703	160	C713	162	CN604	104	D603	119
C674	153	C684	166	C694	166	C704	161	C714	166	CN605	108	D604	119
C675	166	C685	166	C695	207	C705	166	C715	166	CN606	106	D605	119
C676	207	C686	166			C706	166	C716	166	CN607	107	D606	119
C677	207	C687	166	C697	166	C707	166			CN608	111	D607	119
C678	207	C688	166	C698	166	C708	166					D608	119
C679	207	C689	166	C699	166	C709	166					D609	119

CONNECTOR

DIODE

IC

SYMBOL NO.	INDEX NO.	SYMBOL NO.	INDEX NO.	SYMBOL NO.	INDEX NO.	SYMBOL NO.	INDEX NO.	SYMBOL NO.	INDEX NO.	SYMBOL NO.	INDEX NO.	SYMBOL NO.	INDEX NO.
D610	119	IC600	142	IC610	138	IC620	128	IC630	131	IC640	128	IC650	147
D611	118	IC601	141	IC611	137	IC621	133	IC631	137	IC641	122		
D612	118	IC602	136	IC612	135	IC622	143	IC632	122	IC642	123		
		IC603	127	IC613	133	IC623	140	IC633	132	IC643	133		
		IC604	143	IC614	131	IC624	137	IC634	125	IC644	123		
FUSE		IC605	138	IC615	148	IC625	145	IC635	134	IC645	122		
SYMBOL NO.	INDEX NO.	IC606	124	IC616	130	IC626	134	IC636	129	IC646	123		
		IC607	135	IC617	139	IC627	137	IC637	122	IC647	146		
FU601	112	IC608	126	IC618	134	IC628	144	IC638	133	IC648	149		
		IC609	126	IC619	144	IC629	148	IC639	133	IC649	127		

RESISTOR

SYMBOL NO.	INDEX NO.	SYMBOL NO.	INDEX NO.	SYMBOL NO.	INDEX NO.	SYMBOL NO.	INDEX NO.	SYMBOL NO.	INDEX NO.	SYMBOL NO.	INDEX NO.	SYMBOL NO.	INDEX NO.
R600	178	R610	190	R620	178	R630	187	R640	178	R650	178	R660	191
R601	178	R611	202	R621	191	R631	174	R641	178	R651	178	R661	175
R602	178	R612	200	R622	187	R632	171	R642	178	R652	178	R662	177
R603	178	R613	200	R623	187	R633	171	R643	178	R653	178	R663	177
R604	178	R614	180	R624	187	R634	171	R644	178	R654	178	R664	177
R605	195	R615	198	R625	187	R635	171	R645	191	R655	189	R665	177
R606	193	R616	197	R626	176	R636	170	R646	205	R656	178	R666	177
R607	188	R617	201	R627	181	R637	178	R647	197	R657	186	R667	178
R608	194	R618	187	R628	181	R638	178	R648	195	R658	185	R668	181
R609	204	R619	191	R629	170	R639	178	R649	206	R659	191	R669	177

SYMBOL NO.	INDEX NO.	SYMBOL NO.	INDEX NO.	SYMBOL NO.	INDEX NO.	SYMBOL NO.	INDEX NO.	SYMBOL NO.	INDEX NO.	SYMBOL NO.	INDEX NO.	SYMBOL NO.	INDEX NO.		
R670	150	R680	177	R690	187	R700	193	R710	176	R720	170	R730	174		
R671	150	R681	177	R691	187	R701	193	R711	176	R721	191				
R672	150	R682	172	R692	187	R702	199	R712	176	R722	170	R732	179		
R673	150	R683	170	R693	197	R703	208	R713	191	R723	17X	R733	187		
R674	150	R684	187	R694	192	R704	183	R714	201	R724	176	R734	182		
R675	187	R685	178	R695	194	R705	190	R715	173	R725	169	R735	170		
R676	187	R686	178	R696	196	R706	170	R716	209	R726	169	R736	184		
R677	177	R687	170	R697	170	R707	170	R717	170	R727	170	R737	169		
R678	177	R688	178	R698	170	R708	176	R718	201	R728	170	R738	179		
R679	177	R689	178	R699	199	R709	176	R719	201	R729	178	R739	182		

SYMBOL NO.	INDEX NO.
R740	171
R741	171
R742	169
R743	178
R744	182
R745	187
R746	171
R747	171
R748	169
R749	169

SYMBOL NO.	INDEX NO.
R750	191
R751	178
R752	178
R753	178
R754	169
R755	169
R756	169
R757	169
R758	203
R759	191

SYMBOL NO.	INDEX NO.
R760	179
R761	178

TEST POINT

SYMBOL NO.	INDEX NO.
TP600	103
TP601	103
TP602	103
TP603	103
TP604	103

THERMISTOR

SYMBOL NO.	INDEX NO.
TH602	121

TRANSISTOR

SYMBOL NO.	INDEX NO.
Q600	117
Q601	116
Q602	113
Q603	114
Q604	117
Q605	117
Q606	115
Q607	116
Q608	117
Q609	115

TRANSISTOR ZENER DIODE

SYMBOL NO.	INDEX NO.
ZD 1	120

VR

SYMBOL NO.	INDEX NO.
VR1	151
VR2	152

33. A/D CONVERSION BOARD (C212/C213)

February 28, '91

Index No.	Part No.	Description	Q'ty Per Assembly
*	C2078012	A/D Conversion Board	1
101	10040110	Cool Sheet	
102	10050820	-Heat Sink - T220N(31)	
103	11010328	Connector Pin Contact	

Index No.	Part No.	Description	Q'ty Per Assembly
104	11020845	Contact - EI Connector	
105	11020903	Terminal - 4P	
106	11020911	Connector - 8P	
107	11020913	Connector - 9P	
108	11020915	Connector - 10P	
109	11023479	Connector - 50P	
110	11023822	Connector - 20P	
111	11031740	Connector4P	
112	11070585	Fuse - 2A	
113	14000098	Transistor - 2SA950-Y	
114	14000163	Transistor - 2SC2120 - Y	
115	14000382	Transistor - 2SA1037KR	
116	14010200	Transistor - 2SD633	
117	14010298	Transistor - 2SC2712Y	
119	14010835	Diode - 1SS180	
120	14020833	Zener Did-e - IZ36	
121	14040165	Thermistor - 203CT-4	
122	14071224	IC - DS0026CN-8	
123	14071315	TTLIC - HD74LS86FP	
124	14071605	TTL - SN74LS157NS	
125	14071610	IC - SN7407	
126	14071723	IC - TC4052BF	
127	14071746	IC - SN74LS240NS	
128	14071783	IC - SN74LS02NS	
129	14071813	IC - SN74LS11 NS	
130	14071849	IC - M52672P	
131	14071880	IC - SN74LS04NS	
132	14071935	IC - TC4066BF	
133	14072052	IC - SN74LS74ANS	
134	14072081	IC - SN74LS08NS	
135	14072249	IC - SN74LS174NS	
136	14072339	TTL - IC - SN74LS241 NS	
137	14072347	IC - SN74LS161 NS	
138	14072348	IC - TC4051BF	
139	14072700	IC - SN74LS137NS	

Index No.	Part No.	Description	Q'ty Per Assembly
140	14073224	IC - LH5164LN-10	
141	14080322	IC - DAC00800LCN	
142	14080408	IC - PST518A	
143	14080526	IC - HA3-2525-5	
144	14080562	IC - μ PC4082G	
145	14080565	IC - μ PC311G	
146	14080604	IC - μ PC393	
147	14080684	IC - S17500A	
148	14080685	IC - μ PC814G	
149	14080686	IC - μ PD555G	
150	16001264	Resistor -1 $\Omega \pm 10\%$ 5W	
151	16018145	Variable Resistor - 5K Ω	
152	16018146	Variable Resistor -500 Ω	
153	16041008	Capacitor - 35 μ F 25V	
154	16041315	Capacitor - 220 μ F DC50V	
155	16041354	Capacitor - 100 μ F 10V	
156	16041362	Capacitor - 4.7 μ F 25V	
157	16041366	Capacitor - 47 μ F $\pm 20\%$ 25V	
158	16041382	Capacitor - 10 μ F 50V	
159	16041385	Electrolytic Cap.: 47 μ F $\pm 20\%$ 50V	
160	16041984	Capacitor - 1 μ F 16V	
161	16050359	Capacitor - 22pF 50V	
162	16050365	Capacitor - 3pF 50V	
163	16061346	Capacitor - 0.01 μ F	
164	16061352	Capacitor - 0.1 μ F 50V	
165	16061450	Capacitor - 10 μ F 50V	
166	16061452	Capacitor - 0. 01 μ F 50V	
167	16061453	Capacitor - 0.1 μ F 25V	
168	16061455	Capacitor - 470pF 25V	
169	16100017	Resistor -10 Ω 1 /8T $\pm 5\%$	
170	16100025	Resistor -22 Ω 1 /8W $\pm 5\%$	
171	16100033	Resistor -68 Ω 1 /8T $\pm 5\%$	
172	16100035	Resistor -100 Ω 1/8W $\pm 5\%$	
173	16100036	Resistor -110 Ω 1/8W $\pm 5\%$	
174	16100039	Resistor -150 Ω 1/8W $\pm 5\%$	

Index No.	Part No.	Description	Q'ty Per Assembly
175	16100046	Resistor -300 Ω 1 /8W	
176	16100047	Resistor -330 Ω 1/8W $\pm 5\%$	
177	16100049	Resistor -470 Ω 1/8W $\pm 5\%$	
178	16100053	Resistor -1 k Ω 1 /8W $\pm 5\%$	
179	16100055	Resistor - 1.2k Ω 1 /8W $\pm 5\%$	
180	16100057	Resistor - 1.5k Ω 1 /8W $\pm 5\%$	
181	16100060	Resistor - 2.0k Ω 1 /8T $\pm 5\%$	
182	16100061	Resistor - 2.2k Ω 1 /8W $\pm 5\%$	
183	16100062	Resistor - 2.4 $\Omega \pm 5\%$ 1 /8W	
184	16100064	Resistor - 3k Ω 1 /8W $\pm 5\%$	
185	16100065	Resistor - 3.3k Ω 1/8W $\pm 5\%$	
186	16100066	Resistor - 3.9k Ω 1 /8W $\pm 5\%$	
187	16100067	Resistor - 4.7k Ω 1/8W $\pm 5\%$	
188	16100068	Resistor - 5.6k Ω 1/8W $\pm 5\%$	
189	16100069	Resistor - 6.8k Ω 1 /8W $\pm 5\%$	
190	16100070	Resistor - 8.2k Ω 1/8T $\pm 5\%$	
191	16100071	Resistor - 10k $\Omega \pm 5\%$	
192	16100072	Resistor -11 k Ω 1/8T $\pm 5\%$	
193	16100074	Resistor - 13k Ω 1/8W $\pm 5\%$	
194	16100075	Resistor - 15k Ω 1/8W $\pm 5\%$	
195	16100077	Resistor - 18k Ω 1 /8W	
196	16100078	Resistor - 22k Ω 1 /8W $\pm 5\%$	
197	16100080	Resistor - 24k Ω 1 /8T $\pm 5\%$	
198	16100081	Resistor - 27k Ω 1/8W $\pm 5\%$	
199	16100083	Resistor - 33k Ω 1 /8W $\pm 5\%$	
200	16100084	Resistor - 39k Ω 1/8W $\pm 5\%$	
201	16100085	Resistor - 47k Ω 1/8W $\pm 5\%$	
202	16100087	Resistor - 68k Ω 1/8W $\pm 5\%$	
203	16100090	Resistor -11 Ok Ω 1 /8W	
204	16100093	Resistor - 150k Ω 1 /8W $\pm 5\%$	
205	16100094	Resistor - 160k Ω 1 /8W	
206	16100233	Resistor - 4.3k Ω 1/4T $\pm 5\%$	
207	16100286	Capacitor - 100pF 50V $\pm 10\%$	
208	16100513	Resistor -5.1 k Ω 1/8T $\pm 5\%$	
209	16100649	Resistor -620 $\Omega \pm 5\%$ 1/8W	

34. THERMAL HEAD DRIVE BOARD (C212/213)

February 28, '91

CAPACITOR

SYMBOL NO.	INDEX NO.	SYMBOL NO.	INDEX NO.	SYMBOL NO.	INDEX NO.
C700	126	C710	129	C720	129
C701	127	C711	129	C721	130
C702	129	C712	129	C722	128
C703	129	C713	129	C723	129
C704	129	C714	129	C724	129
C705	129	C715	129	C725	129
C706	129	C716	129	C726	129
C707	129	C717	129	C727	131
C708	129	C718	129	C728	127
C709	129	C719	129		

CONNECTOR

SYMBOL NO.	INDEX NO.
CN701	117
CN702	118
CN703	120
CN704	119
CN705	116

DIODE

SYMBOL NO.	INDEX NO.
D700	123
D701	123

IC

SYMBOL NO.	INDEX NO.
IC700	113
IC701	114
IC702	109
IC703	107
IC704	109
IC705	111
IC706	101
IC707	106
IC708	112
IC709	102

SYMBOL NO.	INDEX NO.
IC710	105
IC711	104
IC712	104
IC713	111
IC714	110
IC715	110
IC716	110
IC717	110
IC718	110
IC719	110

COIL

SYMBOL NO.	INDEX NO.	SYMBOL NO.	INDEX NO.	SYMBOL NO.	INDEX NO.
IC720	109	IC730	108	L701	138
IC721	107	IC731	108	L702	139
IC722	103	IC732	140	L703	139
IC723	103	IC733	141	L704	139
IC724	103	IC734	141	L705	139
IC725	109				
IC726	103				
IC727	103				
IC728	103				
IC729	108				

TRANSISTOR

SYMBOL NO.	INDEX NO.
Q700	122
Q701	121

RESISTOR

SYMBOL NO.	INDEX NO.
R700	125
R701	125
R702	125
R703	125
R704	125
R705	132
R706	132
R707	132
R708	132
R709	132

SYMBOL NO.	INDEX NO.
R710	132
R711	135
R712	135
R713	135
R714	135
R715	135
R716	135
R717	135
R718	135
R719	135

SYMBOL NO.	INDEX NO.
R720	133
R721	133
R722	133
R723	133
R724	133
R725	132
R726	132
R727	133
R728	133
R729	133

RESISTOR

SYMBOL NO.	INDEX NO.
R730	133
R731	134
R732	135
R733	135
R734	136
R735	132
R736	137
R737	133
R738	136

TEST POINT

SYMBOL NO.	INDEX NO.
TP700	115
TP701	115

ZENER DIODE

SYMBOL NO.	INDEX NO.
ZD700	124

34. THERMAL HEAD DRIVE BOARD (C212/C213)

February 28, '91

Index No.	Part No.	Description	Qty Per Assembly
*	C213 8028	Thermal Head Drive Board	1
101	14071596	c - SN74LS14NS	
102	14071600	C - SN74LS244NS	
103	14071605	TL - SN74LS157NS	
104	14071741	C - SN74LS32NS	
105	14071746	C - SN74LS240NS	
106	14071880	c - SN74LS04NS	

Index No.	Part No.	Description	Qty Per Assembly
107	14072081	IC - SN74LS08NS	
108	14072203	IC - μ PD4311C-35	
109	14072250	IC - SN75LS175NS	
110	14072347	IC - SN74LS161NS	
111	14072554	IC - SN74LS596NS	
112	14072726	IC - SN74LS155NS	
113	14080684	IC - S17500A	
114	14080686	IC - μ PD5555G	
115	11010328	Connector Pin Contact	
116	11020915	Connector - 10P	
117	11023867	Connector - 6P	
118	11022300	Connector - 26P	
119	11023100	Connector - 30P	
120	11023858	Connector - 20P	
121	14000382	Transistor - 2SA1037KR	
122	14010200	Transistor - 2SD633	
123	14010835	Diode - 1SS190	
124	14020833	Zener Diode - IZ36	
125	16001264	Resistor -1 Ω k10 ⁴ 5W	
126	16041986	Capacitor - 220 μ F 50V	
127	16041991	Capacitor - 47 μ F 25V	
128	16100286	Capacitor - 100pF 50V \pm 10%	
129	16061139	Capacitor - 0.01 μ F \pm 20%	
130	16061692	Capacitor - 0.01 μ F 50V	
131	16061537	Capacitor - 1000pF 50V \pm 20%	
132	16100046	Resistor -300 Ω 1 /8W	
133	16100049	Resistor -470 Ω 1 /8W \pm 5%	
134	16100051	Resistor -680 Ω 1 /8W \pm 5%	
135	16100053	Resistor -1 k Ω 1 /8W \pm 5%	
136	16100066	Resistor - 3.9k Ω 1 /8W \pm 5%	
137	16100069	Resistor - 6.8k Ω 1 /8W \pm 5%	
138	16070503	Inductor - SPO 6/5 - 100M3R5	
139	16027046	Filter - DSS306 -55B151 MI 00	
140	14070542	IC - NS74LS00NS	
141	14072052	IC - NS74LS74NS	

CAPACITOR

SYMBOL NO.	INDEX NO.	SYMBOL NO.	INDEX NO.	SYMBOL NO.	INDEX NO.	SYMBOL NO.	INDEX NO.	SYMBOL NO.	INDEX NO.	SYMBOL NO.	INDEX NO.	SYMBOL NO.	INDEX NO.
C101	129	C111	120	C121	110	C201	121	C211	128	C221	125	C231	101
C102	129	C112	113	C122	102	C202	121	C212	104	C222	125	C232	116
C103	136	C113	112	C123	135	C203	122	C213	131	C223	105	C233	126
C104	136	C114	139	C124	103	C204	114	C214	101	C224	116	C234	105
C105	129	C115	138	C125	127	C205	114	C215	117	C225	101	C235	116
C106	123	C116	127	C126	130	C206	114	C216	121	C226	116	C236	101
C107	109	C117	119	C127	120	C207	134	C217	115	C227	125	C237	116
C108	109	C118	108	C128	117	C208	101	C218	115	C228	125	C238	126
C109	123	C119	123			C209	128	C219	134	C229	105	C239	126
C110	133	c 120	124			C210	137	C220	112	C230	116	C240	106

CONNECTOR

SYMBOL NO.	INDEX NO.	SYMBOL NO.	INDEX NO.	SYMBOL NO.	INDEX NO.
C241	106	C251	111	CN501	142
C242	107			CN502	140
C243	116			CN503	143
C244	132			CN504	141
C245	127				
C246	104				
C247	131				
C248	118				
C249	101				
C250	111				

DIODE

SYMBOL NO.	INDEX NO.	SYMBOL NO.	INDEX NO.	SYMBOL NO.	INDEX NO.	SYMBOL NO.	INDEX NO.
D101	147	D111	145	D201	146	D211	147
D102	148	D112	148	D202	147	D212	147
D103	147	D113	151	D203	150	D213	147
D104	148	D114	151	D204	150	D214	149
D105	153	D115	150	D205	152	D215	147
D106	154	D116	150	D206	145	D216	147
D107	153	D117	147	D207	144		
D108	148			D208	144		
D109	148			D209	147		
D110	145			D210	147		

FUSE

SYMBOL NO.	INDEX NO.
F101 (Socket)	155 253

IC

SYMBOL NO.	INDEX NO.
IC201	156
IC202	158
IC203	160
IC204	157
IC205	157
IC206	159
IC207	156

COIL

SYMBOL NO.	INDEX NO.
L101	4
L201	2
L202	3
L203	1
L204	161

TRANSISTOR

SYMBOL NO.	INDEX NO.
Q101	172
Q102	175
Q103	173
Q104	174
Q 105	170

SYMBOL NO.	INDEX NO.
Q201	176
Q202	169
Q203	168
Q204	171
Q205	169
Q206	167

PHOT SENSOR

SYMBOL NO.	INDEX NO.
PC101	166
PC102	166

RC

SYMBOL NO.	INDEX NO.
RC101	235
RC102	234

RESISTOR

SYMBOL NO.	INDEX NO.
R101	181
R102	178
R103	193
R104	184
R105	187
R106	177
R107	196
R108	185
R109	225
R110	194

SYMBOL NO.	INDEX NO.
R111	193
R112	226
R113	219
R114	177
R115	230
R116	201
R117	188
R118	183
R119	223
R120	223

SYMBOL NO.	INDEX NO.
R121	197
R122	177
R123	196
R124	229
R125	192
R126	191
R127	179
R128	190
R129	195
R130	198

SYMBOL NO.	INDEX NO.
R131	197

SYMBOL NO.	INDEX NO.
R201	199
R202	197
R203	197
R204	182
R205	232
R206	233
R207	215
R208	212
R209	201
R210	208

SYMBOL NO.	INDEX NO.
R211	217
R212	212
R213	219
R214	209
R215	200
R216	211
R217	211
R218	228
R219	222
R220	227

SYMBOL NO.	INDEX NO.
R221	214
R222	219
R223	202
R224	223
R225	205
R226	209
R227	210
R228	198
R229	198
R230	180

RESISTOR

SYMBOL NO.	INDEX NO.	SYMBOL NO.	INDEX NO.
R231	206	R241	231
R232	224	R242	189
R233	211	R243	204
R234	213	R244	219
R235	231	R245	207
R236	231	R246	219
R237	231	R247	218
R238	231	R248	219
R239	231	R249	219
R240	231	R250	209

SYMBOL NO.	INDEX NO.	SYMBOL NO.	INDEX NO.
R251	217	R256	209
R252	220	R257	203
R253	220	R258	209
R254	214	R259	186
R255	216	R260	186

SYMBOL NO.	INDEX NO.
R261	221
R262	219

TRANSFORMER

SYMBOL NO.	INDEX NO.
T101	5
T102	6
T103	7
T104	8
T105	9
T106	10

THERMISTOR

SYMBOL NO.	INDEX NO.
TH201	11

VARIABLE RESISTOR

SYMBOL NO.	INDEX NO.
VR201	165
VR202	163
VR203	164
VR204	164

TRC

SYMBOL NO.	INDEX NO.
TRC101	162

ZENER DIODE

SYMBOL NO.	INDEX NO.
ZD101	236
ZD102	238
ZD103	237

ZNR

SYMBOL NO.	INDEX NO.
ZNR101	239
ZNR102	240
(Cover)	12

35. POWER SUPPLY UNIT (C212/C213) MB

February 28, '91

Index No.	Part No.	Description	Q'ty Per Assembly
*	C213 8302	Power supply Unit	1
1	C203 8364	Choke	1
2	C213 8317	Inductor	1
3	C213 8318	Choke	1
4	C213 8319	Choke - SC-08-30J-C	1
5	C213 8311	Switching Transformer	1
6	C213 8312	Switching Transformer	1
7	C213 8313	Switching Transformer	1
8	C213 8314	Switching Transformer	1
9	C213 8315	Switching Transformer	1
10	C213 8316	Switching Transformer	1
11	C213 8330	Thermostat	1
12	C213 8332	Cover	1
13	C213 8320	Heat Sink	1
14	C213 8321	Heat Sink	1
15	C213 8322	Heat Sink	1

Index No.	Part No.	Description	Q'ty Per Assembly
101	16042295	Capacitor - 47 μ F \pm 20% 25V	
102	16042296	Capacitor - 0.47 μ F \pm 20% 200V	
103	16042297	Capacitor - 220 μ F \pm 20% 10V	
104	16042298	Capacitor - 10 μ F \pm 20% 50V	
105	16042300	Capacitor - 220 μ F \pm 20% 25V	
106	16042301	Capacitor - 1000 μ F \pm 20% 10V	
107	16042302	Capacitor - 470 μ F \pm 20% 10V	
108	16042303	Capacitor - 330p F *20!4200V	
109	16042304	Capacitor - 820 μ F \pm 20% 200V	
110	16042305	Capacitor - 47 μ F \pm 20% 200V	
111	16042395	Capacitor - 220 μ F \pm 20% 50V	
112	16042396	Capacitor - 4.7 μ F \pm 20% 50V	
113	16042397	Capacitor - 470 μ F \pm 20% 200V	
114	16042398	Capacitor - 3300 μ F \pm 20% 25V	
115	16042399	Capacitor - 1500 μ F \pm 20% 35V	
116	16050138	Capacitor - 0.1 μ F \pm 20% 25V	
117	16050586	Capacitor - 47opF \pm 10% 1 K	
118	16050680	Capacitor - 100 μ F \pm 50% 10V	
119	16050714	Capacitor - 22opF \pm 10% 3.15KV	
120	16050715	Capacitor - 1000pF \pm 10% 3.15KV	
121	16050716	Capacitor - 1000pF \pm 10% 1 KV	
122	16060782	Capacitor - 2200pF +80-20% 1 KV	
123	16060807	Capacitor - 0.1 μ F 50V	
124	16060848	Capacitor - 0.01 μ F	
125	16060930	Capacitor - 2200pF 500V	
126	16061016	Capacitor - 1000pF 500V	
127	16061049	Capacitor - 0.047 μ F 50V	
128	16061056	Capacitor - 0.1 μ F 50V	
129	16061121	Capacitor - 0.1 μ F 25V	
130	16061492	Capacitor - 1μF \pm20-80% 50V 16060807	
131	16061628	Capacitor - 0.001 μ F 50V	
132	16061629	Capacitor - 0.033 μ F 50V	
133	16061641	Capacitor - 0.022 μ F 630V	
134	16061756	Capacitor - 1 μ F 63V	
135	16061829	Capacitor - 0.01 μ F 250V	

MB

Capacitor - 0.1 μ F 50V

Index No.	Part No.	Description	Qty Per Assembly
136	16061861	Capacitor - 0.1 μ F 250V	
137	16061862	Capacitor - 0.068 μ F 50V	
138	16061863	Capacitor - 4700pF 50V	
139	16061864	Capacitor - 470pF 50V	
140	11020995	Connector - 2P	
141	11020997	Connector - 6P	
142	11021194	Connector - 3P	
143	11031023	Connector - 9P	
144	14010821	Diode - 1SS133	
145	14010822	Diode -1 SS137	
146	14010910	Diode - FE30DP	
147	14020517	Diode - 10DF2	
148	14020534	Diode - 10DF6	
149	14020742	IC - SB80	
150	14021010	Diode -1 SS270A	
151	14021013	Diode - IN4004	
152	14021047	Diode - C16P20F	
153	14021048	Diode - UF4006	
154	14021049	Diode -11 DF2	
155	11070710	Fuse - IOA 125V	
156	14080344	IC - UPC494C	
157	14080612	IC - AN78M12	
158	14080674	IC - UPC1093J	
159	14080776	IC - M519779	
160	14080825	IC - μ PC7812HF	
161	16070106	Coil - SBC-33	
162	14050204	Triac - TM1641 S-L	
163	16010843	Resistor - 5K Ω \pm 20% 1/2W	
164	16018137	Variable Resistor -1k Ω	
165	16518145	Variable Resistor -5k Ω 0.5W	
166	14030519	Photo Coupler - TLP621	
167	14000072	Transistor - 2SC372Y	
168	14000135	Transistor - 2SA10I5-Y	
169	14000291	Transistor - 2SA102OY	
170	14000296	Transistor - 2SC2655-Y	

Index No.	Part No.	Description	Qty Per Assembly
171	14000311	Transistor - 2SC1740	
172	14010999	Transistor - 2SC3714 -	
173	14010893	Transistor - 2SC1 4055	
174	14010894	Transistor - 2SC2333	
175	14010912	Transistor - 2SK1 249	
176	14010913	Transistor - 2SK429	
177	16000650	Resistor -10 Ω \pm 5% 1W	
178	16001026	Resistor Array -1k Ω 1 W \pm 5%	
179	16001178	Resistor Array - 3300hm \pm 5% 1 W	
180	16001248	Resistor - 620 Ω \pm 5% 3W	
181	16001538	Fuse Resistor - 6.8 Ω \pm 5% 1.6W	
182	16001539	Resistor -120 Ω \pm 10% 10W	
183	16001540	Resistor - 510 Ω \pm 5% 2W	
184	16001541	Resistor - 33K Ω \pm 5% 3W	
185	16001542	Resistor - 10 Ω \pm 5% 3W	
186	16001543	Resistor - 470S2 \pm 5% 2W	
187	16001544	Resistor - 2.2 Ω \pm 5% 3W	
188	16001545	Resistor - 0.22 Ω \pm 5% 3W	
189	16001546	Resistor - 33S) \pm 5% 3W	
190	16001547	Resistor - 20K Ω \pm 5% 3W	
191	16001548	Resistor - 30 Ω \pm 5% 1 W	
192	16001549	Resistor - 39K Ω \pm 5% 1 W	
193	16001550	Resistor - 82 Ω \pm 5% 1 W	
194	16001551	Resistor - 82K Ω \pm 5% 1W	
195	16001552	Resistor - 47 Ω \pm 5% 2W	
196	16001553	Resistor - 47K Ω \pm 5% 2W	
197	16001554	Resistor - 10 Ω \pm 5% 2W	
198	16001555	Resistor -5.1 Ω \pm 5% 2W	
199	16001556	Resistor -51 Ω \pm 5% 2W	
200	1601 1315	Resistor - 10 Ω \pm 5% 0.25W	
201	1601 1402	Resistor - 51 Ω \pm 5% 0.25W	
202	1601 1827	Resistor - 100 Ω \pm 5% 0.25W	
203	1601 1831	Resistor - 470 Ω \pm 5% 0.25W	
204	1601 1897	Resistor - 120 Ω \pm 5% 0.25W	
205	1601 1906	Resistor - 430 Ω \pm 5% 1/4W	

Index No.	Part No.	Description	Q'ty Per Assembly
206	16011907	Resistor -51 0Ω ±5% 1 /4W	
207	16012822	Resistor - 3.3KΩ ±5% 1/4W	
208	16012824	Resistor -6.8KΩ ±5% 1 /4W	
209	16012835	Resistor -1 KΩ ±5% 0.25W	
210	16012836	Resistor - 1.5KΩ ±5% 0.25W	
211	16012837	Resistor - 2KΩ ±5% 0.25W	
212	16012838	Resistor - 3.9KΩ ±5% 0.25W	
213	16012936	Resistor - 3KΩ ±5% 0.25W	
214	16012937	Resistor -5.1 KΩ ±5% 0.25W	
215	16012938	Resistor - 7.5KΩ ±5% 0.25W	
216	16012939	Resistor - 4.3KΩ ±5% 0.25W	
217	16012940	Resistor - 8.2KΩ ±5% 0.25W	
218	16013871	Resistor -15KΩ ±5% 1 /4W	
219	16013889	Resistor -10KΩ ±5% 1 /4W	
220	16013891	Resistor -22KΩ ±5% 1 /4W	
221	16013966	Resistor -51 KΩ ±5% 1/4W	
222	16013992	Resistor -24KΩ ±5% 1 /4W	
223	16014001	Resistor -11KΩ ±5% 1 /4W	
224	16014002	Resistor -20KΩ ±5% 1 /4W	
225	16014003	Resistor - 18KΩ ±5% 1/4W	
226	16014004	Resistor - 30KΩ ±5% 1/4W	
227	16015183	Resistor - 220KΩ ±5% 1/4W	
228	18015186	Resistor - 100KΩ ±5% 1/4W	
229	16015218	Resistor - 100KΩ ±5% 1/2W	
230	16017638	Resistor -180Ω ±5% 1 /4W	
231	16116100	Resistor -10Ω 1 /2W	
232	16224301	Resistor - 4.3KΩ 1/4W	
233	16227501	Resistor - 7.5k Ω	
234	14021009	Diode - DBAI OE	
235	14021015	Diode - RBV-2506	
236	14010783	Zener Diode - RD4.7EB1	
237	14020452	Zener Diode - RD18FB	
238	14021012	Diode - RD2.2EEB1	
239	14040235	Diode - DSA-301 IA	
240	14040157	Diode - SNR-221KD14	

Index No.	Part No.	Description	Q'ty Per Assembly
253	11040496	Fuse Holder	



CAPACITOR

SYMBOL NO.	INDEX NO.
C301	123
C302	122
C303	127

COIL

SYMBOL NO.	INDEX NO.
L301	124
L302	124

CONNECTOR

SYMBOL NO.	INDEX NO.
CN301	102
CN302	105
CN303	106
CN304	104
CN305	103

DIODE

SYMBOL NO.	INDEX NO.
D301	113
D302	113
D303	113
D304	113
D305	113
D306	114
D307	113

FUSE

SYMBOL NO.	INDEX NO.
FU301	107

NOISE KILLER

SYMBOL NO.	INDEX NO.
CR301	128
CR302	128
CR303	128
CR304	128
CR305	128
CR306	128
CR307	128
CR308	128

PHOTOHYRISTOR

SYMBOL NO.	INDEX NO.
PC301	117

RELEY

SYMBOL NO.	INDEX NO.
RA301	109
RA302	110
RA303	109
RA304	109
RA305	109
RA306	108
RA307	110

RESISTOR

SYMBOL NO.	INDEX NO.
R301	119
R302	120
R303	126
R304	125

129

ST

SYMBOL NO.	INDEX NO.
ST301	116

TRANSISTOR

SYMBOL NO.	INDEX NO.
Q301	111
Q302	112

ZENER DIODE

SYMBOL NO.	INDEX NO.
ZD301	115

ZNR

SYMBOL NO.	INDEX NO.
ZNR301	118

36. AC DRIVE BOARD (C212/C213)

February 28, '91

Index No.	Part No.	Description	Q'ty Per Assembly
•	C201 8055	AC Drive Board - A4	1
*	C201 8057	AC Drive Board - LT	1
1	C201 8060	Grounding Wire	1

Index No.	Part No.	Description	Q'ty Per Assembly
102	11020919	Connector - 12P	
103	11020958	Connector - 2P	
104	11021048	Pin Housing - Mate-N-Lock - 3P	
105	11031388	Connector - 7P	
106	11031493	Connector	
107	11070389	Fuse - 25A - LT	
107	11070641	Fuse - 2.5A - A4	
108	12081041	Power Relay - DC24V	
109	12081245	Relay - DC24V	
110	12081246	Relay - AC100V	
111	14010289	Transistor - 2SC2749	
112	14010366	Transistor - 2SD799	
113	14010611	Diode - 1S1588	
114	14020110	Diode - V06C	
115	14020426	Zener Diode - RD12FB2	
116	14020646	Diode - S5VB20	
117	14030519	Photo Coupler - TLP621	
118	14040143	Varistor - SNR221KD-10	
119	16001138	Resistor - 1 Ω 5T \pm 10%	
120	16001139	Resistor - 6.8 Ω 5T \pm 10%	
122	16041196	Capacitor 100 μ F 50V	
123	16041534	Capacitor - 100 μ F 200V	
124	16070001	Coil - SN-8S-500	
125	16114511	Resistor - 510 Ω 1/4T +5%	
126	16114911	Resistor - 910 Ω 1/4T 5%	
127	16061752	Capacitor - 0.022 μ F 250V	
128	16021501	Resistor - 0.1 μ F 120(2	
129	12081042	MB25	



CAPACITOR

SYMBOL NO.	INDEX NO.
C001	108
C002	108
C003	110
C004	111
C005	111
C006	108
C007	111
C008	111
C009	109
C010	109

SYMBOL NO.	INDEX NO.
C011	108
C012	109
C013	109

CONNECTOR

SYMBOL NO.	INDEX NO.
CN1	101
CN2	102

DIODE

SYMBOL NO.	INDEX NO.
D001	104
D002	104
D003	104
D004	104
D005	104

IC

SYMBOL NO.	INDEX NO.
IC1	107
IC2	106
IC3	106

P c

SYMBOL NO.	INDEX NO.
PC1	105
PC2	105
PC3B	105

RESISTOR

SYMBOL NO.	INDEX NO.
R001	120
R002	118
R003	122
R004	118
R005	123
R006	116
R007	117
R008	116
R009	122
R010	122

TRANSISTOR

SYMBOL NO.	INDEX NO.
R011	116
R012	116
R013	117
R014	116
R015	125
R016	117
R017	116
R018	122
R019	122
R020	116

SYMBOL NO.	INDEX NO.
R021	117
R022	124
R023	112
R024	116
R025	119
R026	121
R027	114
R028	113
R029	115
R030	124

SYMBOL NO.	INDEX NO.
R031	112
R032	113
R033	114
R034	121
R035	119
R036	119
R037	125
R038	115
R039	112
R040	114

SYMBOL NO.	INDEX NO.
R041	121
R042	115
R043	121
R044	125
R045	119
R046	114
R047	124
R048	112
R049	115
R050	113

SYMBOL NO.	INDEX NO.
R051	124
R052	113
R053	125

SYMBOL NO.	INDEX NO.
QC001	103

37. PAPER SIZE DETECTION BOARD (C212/C213)

February 28, '91

Index No.	Part No.	Description	Q'ty Per Assembly
*	C207 8024	Paper Size Detection Board	1

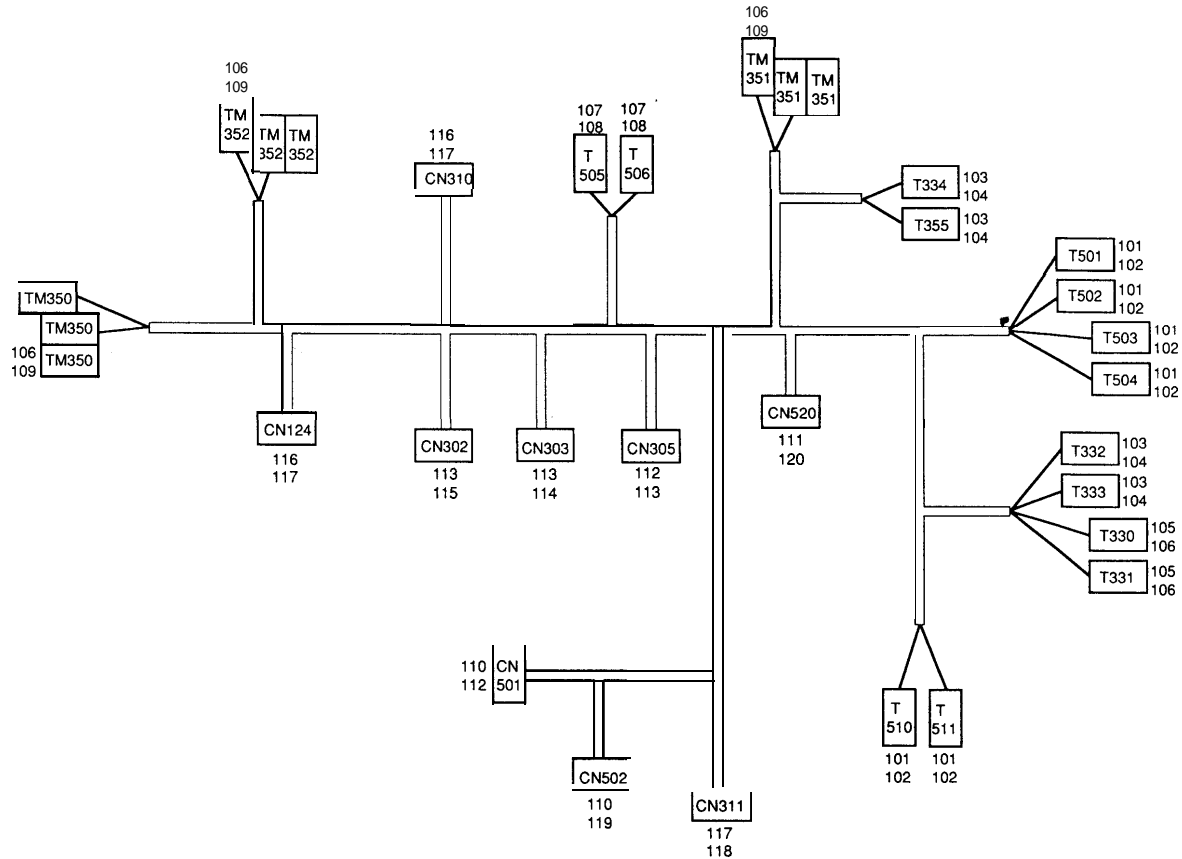
Indx.	Part No.	Description	Q'ty Per Assembly
101	11021792	Connector - 4P	
102	11031550	Connector - 7P	
103	14000431	Transistor - 2SX361 5	
104	14010611	Diode - 1S1588	
105	14030320	Photo Sensor	
106	14080114	IC - μ PC324C	
107	14080329	IC - μ PC358C	
108	16050107	Capacitor - 0.01 μ F 50V	
109	16061750	Capacitor - 0.022 μ F 50V	
110	16061806	Capacitor - 0.01 μ F 50V	
111	16061807	Capacitor - 0.0033 μ F 50V	
112	16114151	Resistor -150 Ω 1/4T \pm 5%	
113	16114182	Resistor - 1.8k Ω 1/4T \pm 5%	
114	16114223	Resistor - 22k Ω 1/4T \pm 5%	
115	16114243	Resistor - 24k Ω 1/4T \pm 5%	
116	16114332	Resistor - 3.3Kk Ω 1/4T \pm 5%	
117	16114333	Resistor - 33k Ω 1/4T \pm 5%	
118	16114334	Resistor - 330k Ω 1/4T \pm 5%	
119	16114472	Resistor - 4.7k Ω \pm 5% 1/4W	
120	16114473	Resistor - 47K Ω 1/4T \pm 5%	
121	16114562	Resistor - 5.6k Ω , 1/4T +5%	
122	16114683	Resistor - 68k Ω 1/4T +5%	
123	16114822	Resistor - 8.2k Ω 1/4T \pm 5%	
124	16114824	Resistor - 820k Ω 1/4T \pm 5%	
125	16116331	Resistor -330 Ω 1/2T	

38. MAIN HARNESS (C212/C213)

February 28, '91

Index No.	Part No.	Description	Q'ty Per Assembly
*	C213 8173	Main Harness	1

Index No.	Part No.	Description	Q'ty Per Assembly
101	11022436	Connector - 12P	
102	11001374	Terminal	
103	11030710	Connector - 40P	
104	11001348	Pin Contact	
105	11021620	Connector - 3P	
106	11001249	Receptacle Terminal	
107	11022061	Connector - 6P	
108	11001247	Terminal	
109	11024969	Connector - 50P	
110	11001348	Pin Contact	
111	11021873	Connector - 7P	
112	11001205	Terminal	
113	11021775	Receptacle Housing - 8P	
114	11021692	Connector - 2P	
115	11001204	Socket - Mate-N-Lock	
116	11020185	Connector - 4P	
117	11021749	Connector - 6P	
118	11021633	Connector - 4P	
119	11021258	Connector - 2P	
120	11001149	Terminal	
121	11021250	Connector - 2P	
122	11001148	Terminal	
123	11021634	Connector - 5P	
124	11021691	Connector - 3P	
125	11001169	Fastening Receptacle	
126	11021426	Connector - 3P	
127	11023949	Connector - 14P	
128	11021966	Connector - 4P	
129	11001328	Contact	
130	11021914	Connector - 6P	
132	11001206	Socket - Mate-N-Lock	






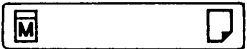





39. AC DRIVE HARNESS (C212/C213)

February 28, '91

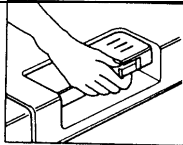
Index No.	Part No.	Description	Q'ty Per Assembly
*	C213 8176	AC Drive Harness - A4	1
*	C213 8187	AC Drive Harness - LT	1

Index No.	Part No.	Description	Q'ty Per Assembly
101	11020086	Sleeve -250	
102	11000858	Receptacle -6.35 x 6.35	
103	11020094	Receptacle Housing	
104	11000280	Fastening Receptacle	
105	11021408	Connector -1P	
106	11001168	Fastening Receptacle	
107	11020321	Insulation Sleeve	
108	11000885	Fastening Receptacle	
109	11021691	Connector - 3P	
110	11040462	Socket	
111	11000916	Pin - Mate-N-Lok	
112	11023235	Connector - 3P	
113	11001190	Socket - Mate-N-Lock	
114	11021351	Connector - 3P	
115	11021377	Connector -5265- 7P	
116	11021258	Connector - 2P	
117	11001149	Terminal	
118	11021259	Connector - 3P	
119	11023236	Connector - 2P	
120	11021174	Socket Housing - Mate-N-Lok-5P	

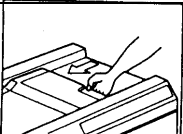
<p>1</p> <div data-bbox="252 184 395 282" style="border: 1px solid black; padding: 5px; text-align: center;"> <p>Master Cut Button.</p>  </div>	<p>2</p> <div data-bbox="598 184 1305 296" style="border: 1px solid black; padding: 5px;"> <div style="display: flex; align-items: center; justify-content: space-between;"> <div style="text-align: center;"> <p>(A)</p>  </div> <div style="text-align: center;"> <p>(B)</p> </div> </div> <div style="border: 1px solid black; padding: 2px; margin-top: 5px;"> <p>How to remove the drum.</p> <p><small>Hold the (A) and (B) part loose. Remove the drum by pulling the side in the direction of arrow.</small></p> </div> </div>								
<p>3</p> <div data-bbox="309 397 341 584" style="border: 1px solid black; padding: 5px; text-align: center;"> <p>ON</p> <p>OFF</p>  </div>	<p>4</p> <div data-bbox="550 420 718 584" style="border: 1px solid black; padding: 10px; text-align: center;">  </div>	<p>5</p> <div data-bbox="869 453 1018 535" style="border: 1px solid black; padding: 5px; text-align: center;"> <p>ADF On Off</p>  </div>	<p>6</p> <div data-bbox="1133 476 1380 524" style="border: 1px solid black; padding: 5px; text-align: center;">  </div>						
<p>7</p> <div data-bbox="236 694 403 843" style="border: 1px solid black; padding: 5px;"> <p>Replacing the Drum Unit</p> <p><small>Caution: If the green lamp on top of the copier is lit, press the button under a light.</small></p> <p style="text-align: center;">Drum rotation button</p>  <p><small>If the green lamp is lit, hit the drum unit control. Be released, push the release handle down to the drum unit and then slide the unit out.</small></p> </div>	<p>8</p> <div data-bbox="539 728 735 798" style="border: 1px solid black; padding: 5px; text-align: center;"> <p>Push to open the master eject unit</p> </div>	<p>9</p> <div data-bbox="917 677 973 860" style="border: 1px solid black; padding: 5px; text-align: center;"> <p>Feeder.</p> <p>Standard</p>  <p>thick paper.</p>  </div>	<p>10</p> <div data-bbox="1173 716 1324 817" style="border: 1px solid black; padding: 5px;"> <table style="width: 100%; border-collapse: collapse;"> <tr> <td style="border: 1px solid black; padding: 2px;">(Memory/Class)</td> <td style="border: 1px solid black; padding: 2px;">(Skip Paper Feed)</td> </tr> <tr> <td style="border: 1px solid black; padding: 2px;">Memory</td> <td style="border: 1px solid black; padding: 2px;">Standard</td> </tr> <tr> <td style="border: 1px solid black; padding: 2px;">Class</td> <td style="border: 1px solid black; padding: 2px;">1/3 1/5</td> </tr> </table> </div>	(Memory/Class)	(Skip Paper Feed)	Memory	Standard	Class	1/3 1/5
(Memory/Class)	(Skip Paper Feed)								
Memory	Standard								
Class	1/3 1/5								

15

How to Open and Close the original table.



1 Lift release lever.



2 Slide the original table to the ▼ mark.

3 To return the original table, slide completely to the right.

16

Open carefully

17

How to use Make Up mode

1 Command Sheet

Set the original and command sheet face down into the ACP as shown in the illustration.
 * Use the same size command sheet as the original.
 Reduction/Enlargement image mode and 2 original command mode can be used together.

2

Press the make up key Press the numeral keys to select make up mode Press the master making key

3 After one sheet is delivered, press the numeral keys to select the number of sets (check the image position). Press the Print Start Key.

4. Cell designated as an original sheet (indicated area marked).

5. Cell designated as an original sheet (indicated area marked).

Selected mode 1 to 7

Function and Input key / display	Command Sheet/original sheet	print
Save area	input 1 display 1-1	[F] [P] [A] [B]
Reduce area	input 2 display 1-2	[F] [P] [A] [B]
Enlarge area	input 3 display 1-3	[F] [P] [A] [B]
Screen image	input 4 display 1-4	[F] [P] [A] [B]
Phase mode	input 5 display 1-5	[F] [P] [A] [B]
Save area	input 6 display 1-6	[F] [P] [A] [B]
Reduce area	input 7 display 1-7	[F] [P] [A] [B]

Add background pattern in designated Area.

(A) diagonal line method Display [L] [R] [B] [W]

(B) checkered area method Display [L] [R] [B] [W]

Selected mode 1 to 8 or 9 to 16

Selected pattern 1 to 8 or 9 to 16

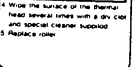
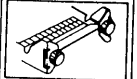
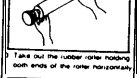
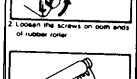
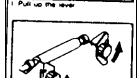
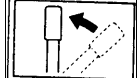
Function	Input key	Command Sheet/original sheet	Input key	Command Sheet/original sheet
Line pattern (diagonal)	1 to 8	[L] [R] [B] [W]	1 to 8	[L] [R] [B] [W]
Line pattern (checkered)	9 to 16	[L] [R] [B] [W]	9 to 16	[L] [R] [B] [W]
Line pattern (horizontal)	1 to 8	[L] [R] [B] [W]	9 to 16	[L] [R] [B] [W]
Line pattern (vertical)	9 to 16	[L] [R] [B] [W]	1 to 8	[L] [R] [B] [W]
Line pattern (diagonal)	1 to 8	[L] [R] [B] [W]	9 to 16	[L] [R] [B] [W]
Line pattern (checkered)	9 to 16	[L] [R] [B] [W]	1 to 8	[L] [R] [B] [W]
Line pattern (horizontal)	1 to 8	[L] [R] [B] [W]	9 to 16	[L] [R] [B] [W]
Line pattern (vertical)	9 to 16	[L] [R] [B] [W]	1 to 8	[L] [R] [B] [W]

Circle the pattern direction, select function no. 21 to 26 or 27 to 32

18

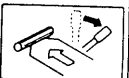
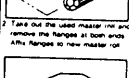
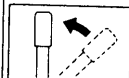
Thermal Head Cleaning

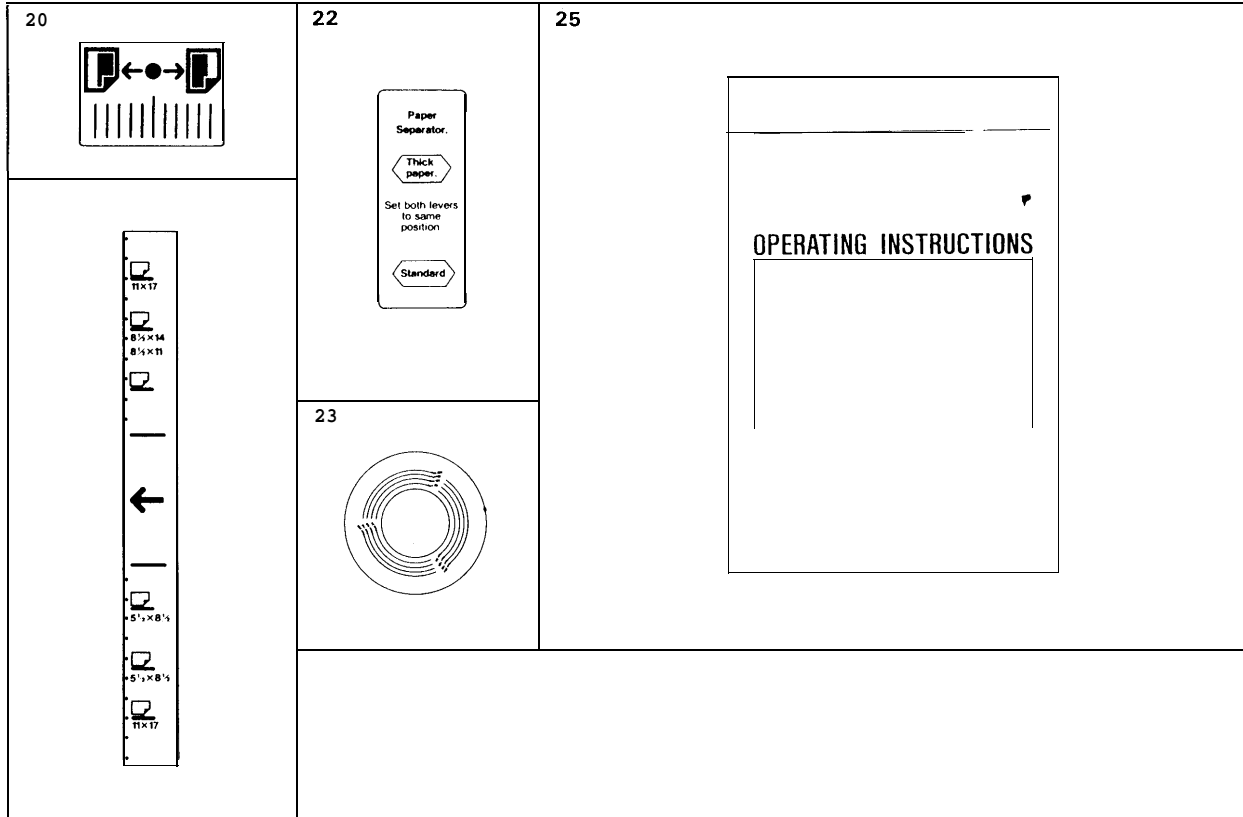
Clean the thermal head after every second master roll.



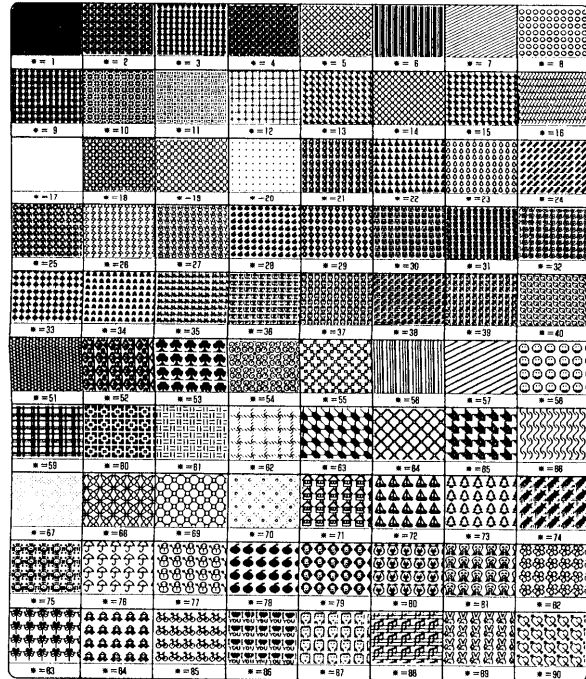
19

To change master.





24

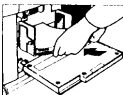


PRIPORT OPERATING GUIDE

Please refer to the Operating Instructions for detailed information.

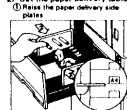
1. Set Up the Machine

1) Stack paper on the paper table.



(NOTE)
• Bring the paper feed side plates slightly in contact with the paper.

2) Set the paper delivery table.



(NOTE)
• Position the side plates at the paper paper size.

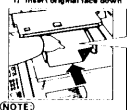
3) When using paper smaller than A4, B5, raise the small paper end plate.



(NOTE)
• Position the end plate for the printing paper size, using the scale on the table.

2. Printing

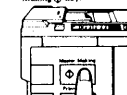
1) Insert original face down.



(NOTE)
• Insert the original along the original guides until it stops.
• Insert the original with the widest blank margin first.

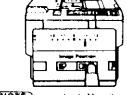


2) Enter the desired number of prints. Then press the Master Setting key.



(NOTE)
• After one sheet is delivered, check the image position.

3) Adjust the image position, using the Image Position key.



(NOTE)
• A blank area (margin) of 10 mm or more is required for image setting.

4) Press the Print Start key.



(NOTE)
• Check the paper feed and delivery conditions.

3. Troubleshooting

1) When cover open indication \square blinks

- 1) Original Table
- 2) Front Cover
- 3) Master Feed Unit
- 4) Drum Unit
- 5) Paper Table
- 6) ADF

Slide the original table to the right.



Close the front cover.



Close the master spec lock.



Insert the drum unit.



Open the paper table.

Close the ADF.

2) When the \square , \square , \square , \square , or \square blinks

- \square Stack paper
- \square Replace master
- \square Replace ink cartridge
- \square Replace the original table
- \square Be the master spec lock



• Restore the master spec lock after disposing of the masters ejected into the box.
• Check the installation of the master spec lock.

3) When [jam] indication \square blinks

- \square + A Original Misfeed
- \square + B Paper Misfeed
- \square + C Paper Feed section
- \square + D Master Misfeed
- \square + E Paper Wrapping

Note 1) Press the Reset key after removing the jammed paper or master.



\square + E + B Paper Wrapping

- \square + B Paper Feed section
- \square + D Paper Misfeed
- \square + F Master Misfeed

Note 2) How to re-start print

Press the Master Setting key when \square + A, \square + C or \square + F blink.

Press the Print Start key when \square + B, \square + D, \square + E or \square + B blink.

Press the Print Start key when \square + B + E or \square + B + F blink.

Press the Print Start key when \square + B + E or \square + B + F blink.

Press the Print Start key when \square + B + E or \square + B + F blink.

Press the Print Start key when \square + B + E or \square + B + F blink.

Press the Print Start key when \square + B + E or \square + B + F blink.

Press the Print Start key when \square + B + E or \square + B + F blink.

Press the Print Start key when \square + B + E or \square + B + F blink.

Press the Print Start key when \square + B + E or \square + B + F blink.

Press the Print Start key when \square + B + E or \square + B + F blink.

Press the Print Start key when \square + B + E or \square + B + F blink.

Press the Print Start key when \square + B + E or \square + B + F blink.

Press the Print Start key when \square + B + E or \square + B + F blink.

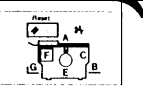
Press the Print Start key when \square + B + E or \square + B + F blink.

Press the Print Start key when \square + B + E or \square + B + F blink.

Press the Print Start key when \square + B + E or \square + B + F blink.

Press the Print Start key when \square + B + E or \square + B + F blink.

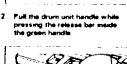
Press the Print Start key when \square + B + E or \square + B + F blink.



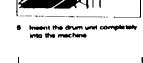
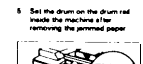
If a service code E-01, E-02 or E-03 is displayed in the counter, call your dealer and tell him which code is displayed.

4. Drum unit replacement

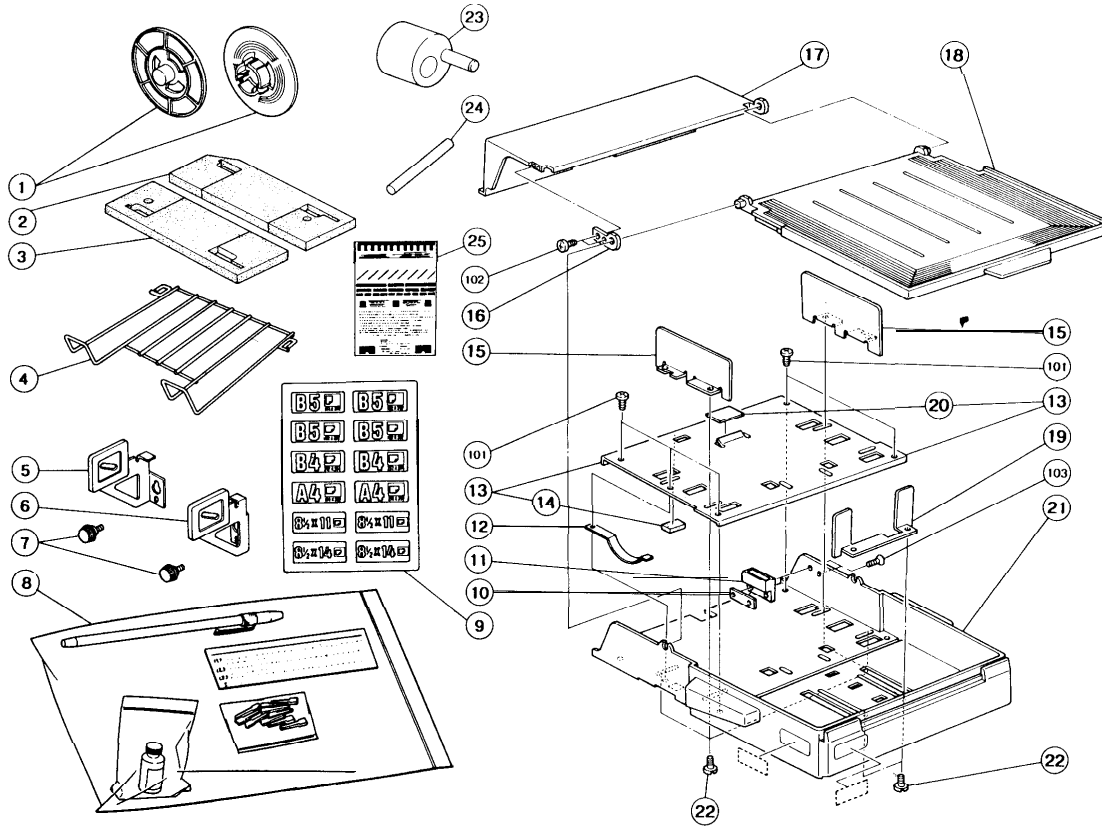
1) Make sure that the lamp of the drum rotation sensor light is lit. If the lamp is not lit, press the drum rotation button until the beeper sounds.



2) Pull the drum unit handle while pressing the release bar inside the green handle.



Mount this sheet in near the machine where it can be easily referenced. **RICOH**



41. ACCESSORIES AND SPECIAL TOOLS (C212/C213)

February 28, '91

Index No.	Part No.	Description	Q'ty Per Assembly
1	C213 4041	Master Flange	1
2	C207 2525	Rear Pad	1
3	C207 2524	Front Pad	1
4	C203 3075	Original Exit Tray	1
5	C201 3023	Right Bracket - Original Tray	1
6	C201 3020	Left Bracket - Original Tray	1
7	08030017	Knob Screw - M4x6.5	1
8	C203 8723	Thermal Head Cleaner - English	1
8	C204 8721	Thermal Head Cleaner - Europe	1
9	C522 2450	Decal Sheet	1
10	C522 2433	Plate Nut	1
11	C200 3053	Magnet Catch	1
12	C522 2434	Grounding Plate	1
13	C522 2421	Bottom Plate	1
14	C522 2423	Cushion Seal - 10x19	1
15	C522 2431	Side Fence	1
16	C522 2417	Cover Stopper Supporter	1
17	C522 2413	Cover Stopper	1
18	C522 2418	Cassette Cover	1
19	C522 2432	Rear Fence	1
20	55076828	Rubber Plate - Feed Table	1
21	C522 2441	Cassette Body	1
22	C522 2435	Screw - M3	1
23	C200 9002	Image Shifting Gauge	1
24	C200 9001	Drum Gauge	1
25	99992131	Test Chart	1

Index No.	Part No.	Description	Q'ty Per Assembly
101	0413 0052Z	Tapping Screw - M3x5	
102	0433 0082Z	Tapping Screw - M3x8	
103	03230060Z	Philips Sunk Screw - M3x6	